

# SBS Self-Adhering Specifications JM CleanBond® Glass Utility Sheet Installation Instructions



1. Cut JM CleanBond Utility Sheet and JM CleanBond® Cap Sheet to usable lengths and set aside, allowing them to relax. Make certain that the JM CleanBond® Base ply is clean and dry and that the ambient temperature is 45°F (7°C) or higher.



2. To use JM CleanBond Utility Sheet as a valley starter sheet, position the utility sheet so that it is centered down the middle of the drain, leaving the plastic release film adhered. Note: The base sheets should already be installed so the seam of the finished side lap is centered down the drain and will be centered under the utility sheet. The sides of the utility sheet should align with the perforation down the centers of the two base sheets.



3. To use JM CleanBond Utility Sheet as a header sheet, begin at the lowest point on the roof. Lay in a full-width piece of the utility sheet over the already installed base ply, leaving the plastic release film adhered for both the base and utility sheets. Note: The base sheet side lap should be centered under the utility sheet.



4. Fold the utility sheet in half along its length and strip off the leading half of its plastic film and the matching plastic film from the base sheet.



5. Lower the utility sheet slowly from the center out.



6. Fold back the other half of the utility sheet and repeat the steps used for installing the first half of the sheet.

## Installing Subsequent Cap Sheets

Cap sheets can be installed parallel or perpendicular to the utility sheet.



7. To install a parallel cap sheet, pick up a relaxed sheet and align it on the 8" (203 mm) selvage of the previously installed utility sheet.

Refer to the Material Safety Data Sheet and product label prior to using this product.

## SBS Self-Adhering Specifications JM CleanBond® Glass Utility Sheet Installation Instructions (cont'd)



**8.** To install a cap sheet parallel to the utility sheet, fold the cap sheet in half along its length. Remove the plastic film from the leading half of the cap sheet, the top of the installed base sheet, and the selvage of the installed utility sheet. Slowly lower the cap sheet into place taking care to keep it aligned and free from wrinkling.



**9.** Fold back the second half of the cap sheet, remove the plastic film and the matching film portion from the base sheet. Slowly lower it into place from the center out.



**10.** To install a cap sheet perpendicular to the utility sheet, pick up a relaxed sheet and position it so the end aligns with the 8" (203 mm) selvage of the installed utility sheet.



**11.** Holding the cap sheet in position and using its sides as a guide, score the plastic release film at the end of the base sheets below, so that you will be able to remove only those portions of release film that are directly under the cap sheet. You will also need to score the sides of the release film on the selvage of the utility sheet where the cap sheet overlaps it.



**12.** To execute a proper "T"-joint, cut off the corner of the cap sheet selvage where the end overlaps the selvage of the utility sheet. This will reduce membrane thickness when the next sheet is applied.



**13.** Fold the cap sheet in half along its length. Remove the plastic film from the leading half of the cap sheet, the top of the installed base sheet, and that portion of the utility sheet selvage that is directly under the cap sheet. Slowly lower the cap sheet into place taking care to keep it aligned and free from wrinkling.



**14.** Fold back the second half of the cap sheet, remove its plastic film and the matching film portion from the base sheet and utility sheet selvage. Slowly lower it into place from the center out.

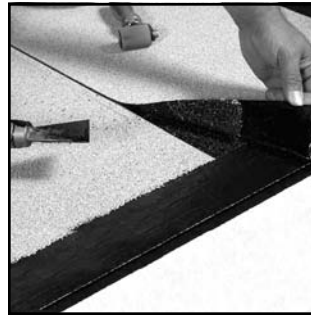


**15.** Note: Where two sheets will come together at the end laps, score and leave a 4" (102 mm) piece of release film on the bottom of the overlapping sheet's end lap area. This will reduce the chance of the sheet adhering to the granules of the lower sheet.

# SBS Self-Adhering Specifications JMCleanBond® Glass Utility Sheet Installation Instructions (cont'd)



**16.** Once the cap sheet is installed, special care must be taken to heat sink the granules with a hot air gun for all end lap areas. Note: MBR® Flashing Cement or MBR® Utility Cement can be substituted for heat welding.



**17.** Prepare the end lap by removing all loose granules. With a hot air gun, apply heat to the 4" (102 mm) end lap area making sure both sheets have a good compound flow to adhere the two surfaces.

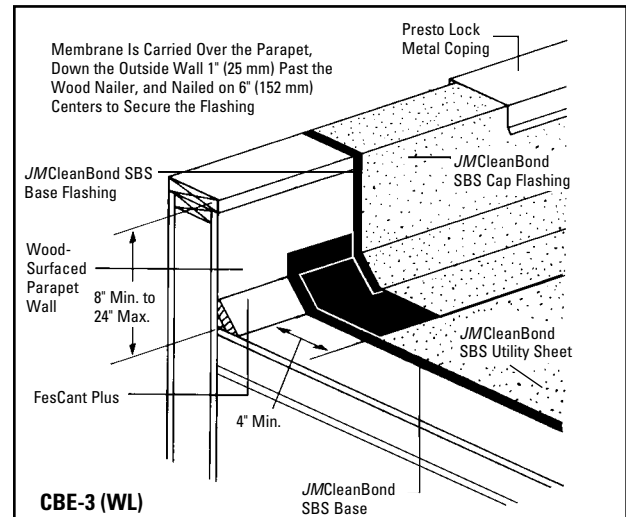
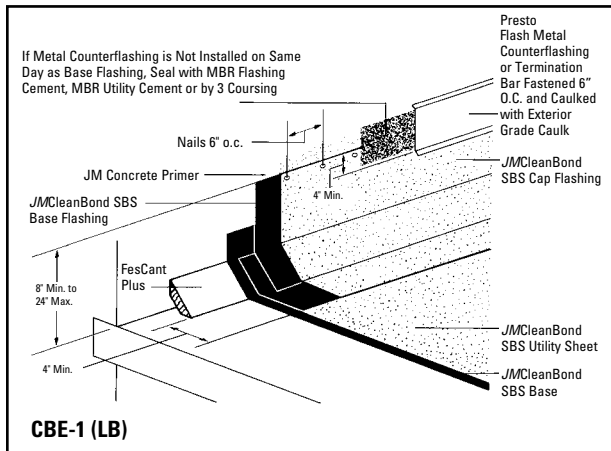


**18.** End laps must be rolled with a rounded edge roller and a 1/8" (3 mm) bleedout of SBS compound is required.



**19.** After all cap and utility sheets are installed, roll across the width of the sheet first, then across its length with a 75 lb to 100 lb (34 kg to 45 kg) split-wheel, weighted roller to set the cap sheets, paying special attention to the selvage seams.

**20.** All end laps must be staggered unless terminated at the utility sheet.



Refer to the Material Safety Data Sheet and product label prior to using this product.