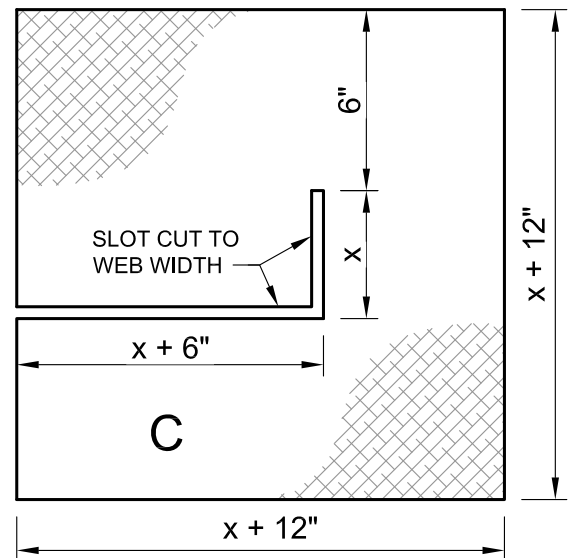
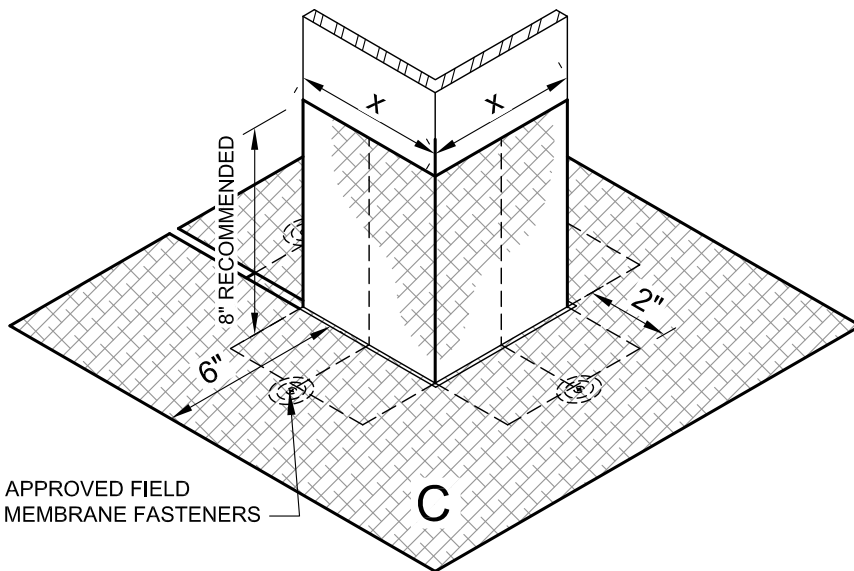


VERTICAL SURFACES
STEPS A & B



HORIZONTAL SURFACE
STEP C

NOTES:

1. ALL FOLD LINES REPRESENTED AS
ALL CUT LINES REPRESENTED AS - - - - -

USE THIS DETAIL IN CONJUNCTION WITH DETAIL T1P-FP-05 WHICH IS PART OF THIS INSTALLATION.

DRAWING NO.	
T1P-FP-06	
PENETRATION	
SCALE	ISSUE DATE
N.T.S	01-26-24

ANGLE IRON FLASHING SCRIM LAYOUT	
JM ONE-PART POURABLE SEALER LIQUID FLASHING	
MEMBRANE TYPE:	
TPO/ONE-PART POURABLE SEALER	
MAXIMUM GUARANTEE TERM:	DRAWN BY:
20 YEAR	HJV

Johns Manville is a manufacturer of commercial roofing products and offers this general conceptual information to you as a courtesy for general educational purposes only. This complimentary assistance is not to be either used or relied upon by anyone as a substitute for professional engineering design and documentation required by any building code, contract, or applicable law. By accepting the general conceptual information, you agree it does not constitute any representations, endorsements of, or an assumption by Johns Manville of any duty or liability for either the adequacy of the design of a building, any of its components or the sufficiency of any construction.

