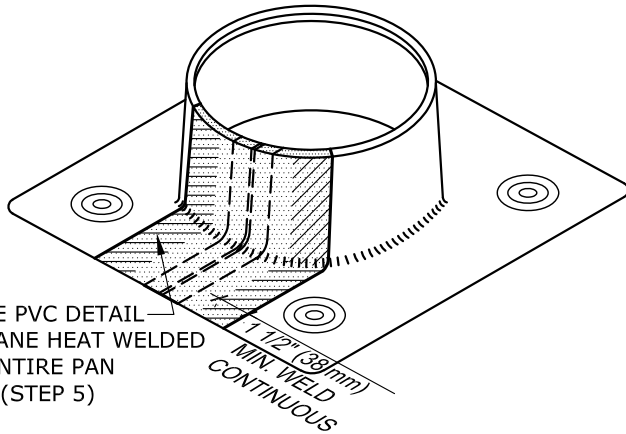


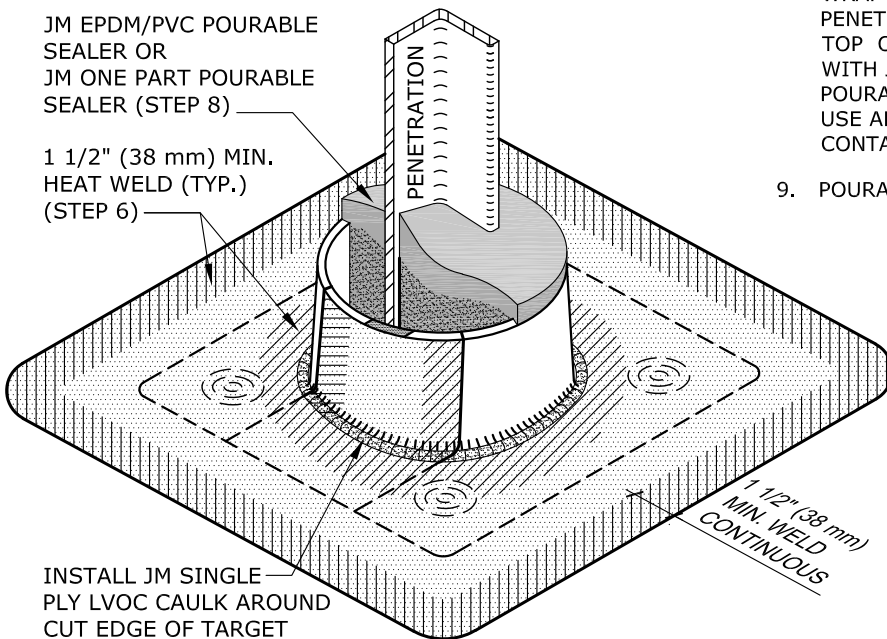
2" WIDE ALUM.  
TAPE OVER ENTIRE  
POCKET SPLICE (STEP 4)

SECURE PENETRATION PAN  
USING FOUR APPROPRIATE  
FASTENERS (STEP 3)



6" WIDE PVC DETAIL  
MEMBRANE HEAT WELDED  
OVER ENTIRE PAN  
SPLICE (STEP 5)

1 1/2" (38 mm)  
MIN. WELD  
CONTINUOUS

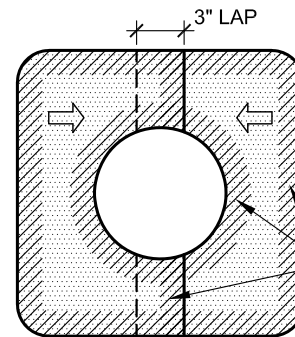


JM EPDM/PVC POURABLE  
SEALER OR  
JM ONE PART POURABLE  
SEALER (STEP 8)

1 1/2" (38 mm) MIN.  
HEAT WELD (TYP.)  
(STEP 6)

INSTALL JM SINGLE  
PLY LVOC CAULK AROUND  
CUT EDGE OF TARGET  
PATCH (STEP 6)

1 1/2" (38 mm)  
MIN. WELD  
CONTINUOUS



TWO PIECE PVC TARGET PATCH (STEP 6)

1 1/2" (38 mm)  
MIN. HEAT WELD  
(TYP.) (STEP 6)

**INSTALLATION STEPS:**

1. USING A WIRE BRUSH OR GRINDER, CLEAN PENETRATION DOWN TO BARE METAL FROM JUST BELOW THE MEMBRANE SURFACE TO JUST ABOVE THE TOP OF THE JM PVC PENETRATION PAN TO ALLOW GOOD ADHESION BETWEEN THE PENETRATION AND THE JM EPDM/PVC POURABLE SEALER.
2. RADIUS ALL CORNERS OF THE JM PVC PENETRATION PAN. IT IS RECOMMENDED TO CLEAN THE INSIDE OF THE JM PVC PENETRATION PAN WITH JM SINGLE PLY MEMBRANE CLEANER (LVOC). PLACE THE JM PVC PENETRATION PAN AROUND THE PENETRATION, NESTING THE SPLICED SECTION OF THE POCKET TOGETHER.
3. FASTEN THE JM PVC PENETRATION PAN TO THE ROOF DECK USING FOUR APPROPRIATE FASTENERS AND PLATES.
4. INSTALL 2" WIDE ALUMINUM TAPE CENTERED OVER THE ENTIRE SPLICE AND TURN DOWN INSIDE THE PAN.
5. HEAT WELD A 6" WIDE PIECE OF JM PVC DETAIL MEMBRANE, MIN. 1 1/2" WIDE WELD, CENTERED OVER THE JM PVC PENETRATION PAN SPLICE THE FULL LENGTH OF THE SPLICE, AND TURN DOWN 1" INTO THE PAN AND WELD INSIDE TO THE INTERIOR WALL OF THE PAN.
6. CUT A 18" X 18" TARGET PATCH OF PVC MEMBRANE AND RADIUS ALL CORNERS. CUT A HOLE IN THE CENTER OF THE TARGET PATCH 1/2" LARGER THAN THE BOTTOM DIAMETER OF THE JM PVC PENETRATION PAN. HEAT WELD THE TARGET PATCH AROUND THE ENTIRE OPENING TO THE JM PVC PENETRATION PAN, AND THE OUTER EDGES OF THE PATCH TO THE FIELD MEMBRANE WITH MIN. 1 1/2" WELD. INSTALL A BEAD OF JM SINGLE PLY LVOC CAULK AROUND THE ENTIRE HOLE CUT EDGE OF THE PVC TARGET PATCH. FOR A PENETRATION THAT IS OBSTRUCTED FROM ABOVE PREVENTING A ONE PIECE TARGET PATCH INSTALLATION, CUT A 18" X 24" PVC TARGET PATCH, CUT IN HALF AND OVERLAP THE EDGES BY 3" AND HEAT WELD AS STATED ABOVE, AND THE CUT EDGE LAPS MIN. 1 1/2" WELD.
7. USING A SEAM PROBE, CHECK ALL WELDS FOR VOIDS AND MAKE NECESSARY REPAIRS.
8. WRAP ALUMINUM TAPE AROUND THE TOP OF THE JM PVC PENETRATION PAN WITH 1" STICKING UP ABOVE THE TOP OF THE POCKET. FILL THE POCKET ABOVE THE TOP WITH JM EPDM/PVC POURABLE SEALER OR JM ONE PART POURABLE SEALER, MOUNDING TO PROHIBIT PONDING WATER. USE AN ADEQUATE AMOUNT OF SEALANT TO ENSURE PROPER CONTACT IS MADE WITH THE TOP RIM OF THE PAN.
9. POURABLE SEALER IS TO BE MAINTAINED BY THE OWNER.

DRAWING NO.  
**P-FP-07**  
PENETRATION

**JM PVC PENETRATION PAN**

MEMBRANE TYPE:  
JM PVC

SCALE: N.T.S.    ISSUE DATE: 08-07-19    MAXIMUM GUARANTEE TERM: 20 YEAR

Johns Manville is a manufacturer of commercial roofing products and offers this general conceptual information to you as a courtesy. This complimentary assistance is not to be used or relied upon by anyone as a substitute for professional engineering design and documentation required by building code, contract, or applicable law. By accepting these comments you agree they do not constitute any representations, endorsements of, or an assumption by Johns Manville of any liability for either the adequacy of the design of this building or any other material not supplied by Johns Manville.

