

Features and Components

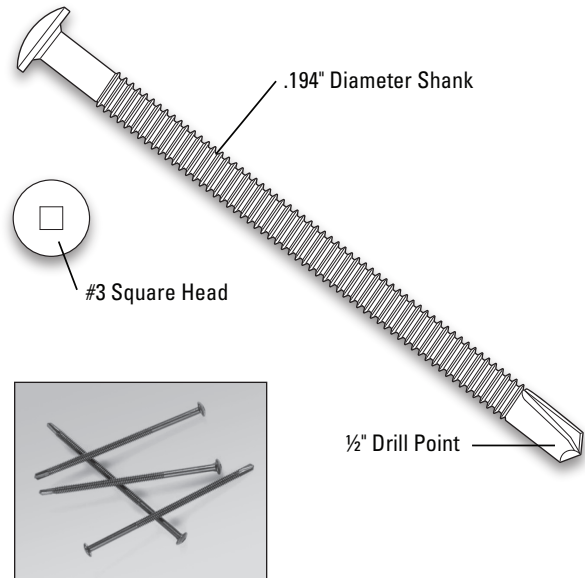
JM RetroDriller Fastener is designed for attaching single ply membrane systems to structural purlins (up to $\frac{3}{16}$ ") in standing seam metal roof retrofit applications.

Use: PVC and TPO Membranes and Insulation

Material: CR-10 coated steel

Head: #3 square head

Deck Types: Structural purlins seam metal.



Component

F
Fastening

Type

I
Insulation

M
Membrane

Single Ply

System Compatibility This product may be used as a component in the following systems. Please reference product application for specific installation methods and information.

Multi-Ply	BUR		APP		SBS				
	HA	CA	CA	HW	HA	CA	HW	CA	MF
<i>Do not use in Multi-Ply systems</i>									

Single Ply	TPO		PVC		EPDM		
	MF	FA	MF	FA	MF	FA	BA
<i>Use to fasten Membranes & Insulation in the selected Single Ply systems above</i>							

Key: HA = Hot Applied CA = Cold Applied HW = Heat Weldable SA = Self Adhered MF = Mechanically Fastened FA = Fully Adhered BA = Ballasted

Energy and the Environment

Recycled Content	This steel based product contains a minimum of 25% post consumer recycled materials by weight
------------------	---

Peak Advantage® Guarantee Information

Systems	Approved to use with any Peak Advantage Guarantee
---------	---

Installation/Application

The Johns Manville RetroDriller must penetrate through the purlin a minimum of 1". Using a screw gun with a maximum of 1800 RPM, drive the fastener through the purlin until a slight depression is seen around the plate.

NOTE: Caution should be taken not to overdrive the fastener causing stress plate and surface to deflect more than 1/16".

Packaging and Dimensions

Fastener Sizes	Quantity per Container
4" to 10" (10.2 cm to 25.4 cm)	500/pail
Producing Locations*	Agawam, MA & Itasca, IL

* The point of manufacture for fasteners and plates varies depending on the specific part. Call your local JM sales professional for assistance.