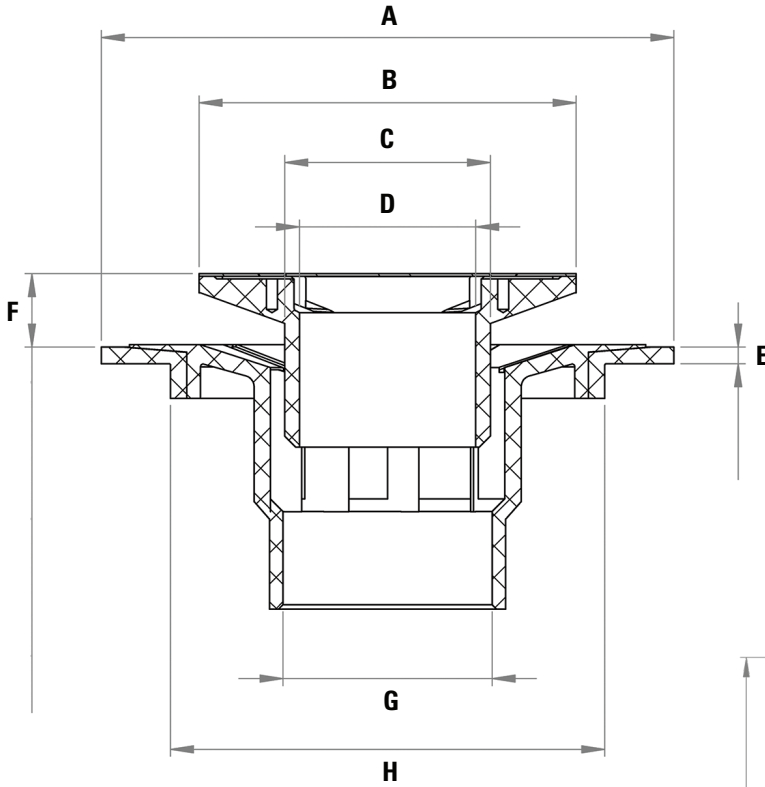


SUBMITTAL SPECIFICATION

GoBoard Point Drain System complies with the following standards:
IAPMO PS 106-2015e1
ASME A112.18.2/CSA B125.2-2015
ANSI A118.10-2014
ICC-ES EG 159

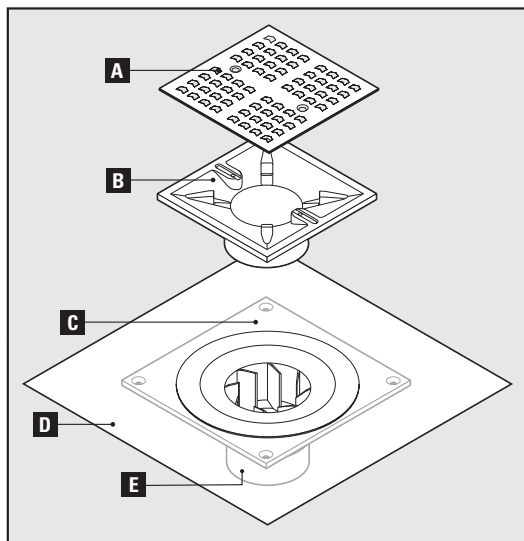
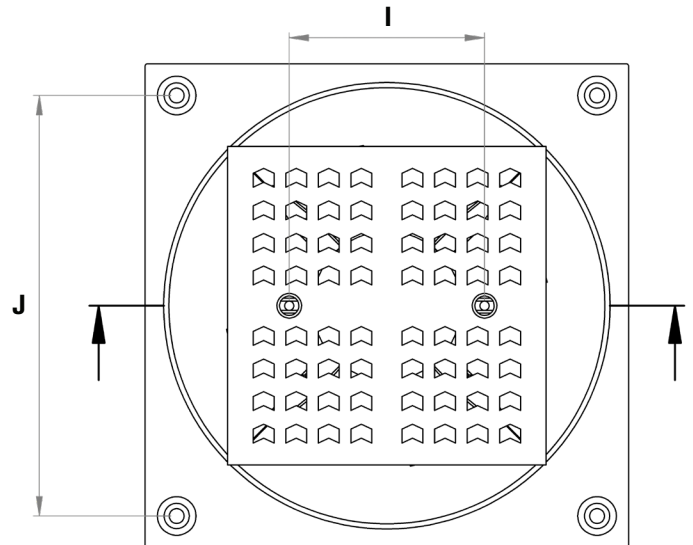
GoBoard Point Drain System complies with the following codes:
2018, 2015, 2012 and 2009 International Plumbing Code® (IPC)
2018, 2015, 2012 and 2009 International Residential Code® (IRC)
2018, 2015, 2012 and 2009 International Building Code® (IBC)
2018, 2015, 2012 and 2009 Uniform Plumbing Code® (UPC)*
2015, 2010 and 2005 National Plumbing Code of Canada**

Job Reference



Dimensional Data

- A** 6.50"
- B** 4.28"
- C** 2.34"
- D** 2.00"
- E** 0.19"
- F** 0.02" minimum (adjustable)
- G** 2.00" PVC S40
- H** 4.93"
- I** 2.63" (up to 3.75" for alternative covers)
- J** 5.65"



Drain Assembly

- A.** Drain Cover† (Brushed Stainless)
- B.** Drain Riser
- C.** Clamping Collar
- D.** Membrane
- E.** PVC Drain Body††

*Uniform Plumbing Code is a copyrighted publication of the International Association of Plumbing and Mechanical Officials.

** National Plumbing Code of Canada is a copyrighted publication of National Research Council Canada.

† Most conventional drain covers fit drain riser (snap on and screw on). Custom holes can be drilled in riser if needed for installation.

†† The drain body accepts both threaded and nonthreaded drain risers from other manufacturers that are approximately 2" inside diameter.