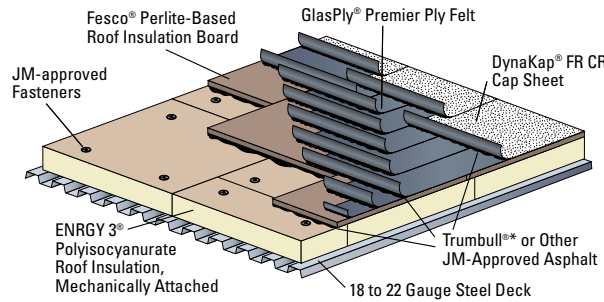




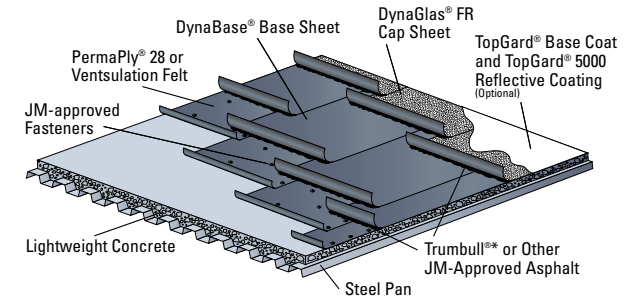
SBS Systems – Hot Asphalt-applied

- Contractors can feel confident during changing weather because systems are immediately watertight.
- Reflective cap sheets can be incorporated to assist with LEED® points or other green roofing goals.
- PermaFlash® System allows penetration flashing to be included in the guarantee.
- Redundant layers contribute to a virtually worry-free roof.



*Trumbull is a registered trademark of Owens Corning

4CID CR



*Trumbull is a registered trademark of Owens Corning

3FLD

FM Global® Approvals

Note: Illustrations do not directly represent any code approvals below.

Deck	Wind Uplift (psf)	Insulation First Layer		Cover Board		Specification	Membrane	RoofNav SM Number*
		Product	Attachment Method [Rate]	Product	Attachment Method [Rate]			
Steel	90	E	UF [1 per 4]	RF, F	JM-approved Asphalt	2-4FID/2-4CID/2-4PID	DP, DK CR	37158-48647-0
	120	E	UF [1 per 1.78 ft ² (0.17 m ²)]	RF		2-4FID/2-4CID/2-4PID	DP, DK CR	31572-48671-0
	150	E	UF [1 per 1.45 ft ² (0.14 m ²)]	RF		2-4FID/2-4CID/2-4PID	DP, DK CR	16251-48683-0
Concrete	90	E	G2P UIA [12" (305 cm) Ribbons o.c.]	SR	G2P UIA [12" (305 cm) Ribbons o.c.]	3FID	DP, DK CR	203773-203385-0
	600	E	JM-approved Asphalt	RF	-	2-4FID/2-4CID/2-4PID	DP, DK CR	64171-48647-0
Lightweight Concrete	90	-	-	-	-	3FLD/3CLD/3PLD	VF, DB, DG CR	162708-48672-51014
	120	-	-	-	-	3-4FLD/3-4CLD/ 3-4PLD	VF, DL180S, DL250 CR	181414-48636-145936
	150	-	-	-	-	3FLD/3CLD/3PLD	DL180S, DL250 CR	162758-48672-50916

Insulation
E = ENRGY 3

Cover Board
RF = 1/2" Retro-Fit™ Board
F = Fesco Board
SR = Securock®

Fastener and Plate
UF = UltraFast®

Adhesive
2P UIA = JM Two-Part Urethane Insulation Adhesive
G2P UIA = JM Green Two-Part Urethane Insulation

Membrane
DP = DynaPly
DK CR = DynaKap FR CR
VF = Ventsulation Felt
DB = DynaBase
DG CR = DynaGlas FR CR
DL180S = DynaLastic 180 S
DL250 CR = DynaLastic 250 FR CR

Notes
1. Consult specific RoofNav assembly for construction detail.
2. Deck must be FM Global approved.
3. Some assemblies require Grade E (80 ksi) steel and/or additional deck securement.

*RoofNav numbers shown in this table are representative only and do not identify all membrane systems available.

FM Global, RoofNav and Securock are among the trademarks or registered trademarks of Factory Mutual Insurance Company, FM Approvals LLC and United States Gypsum Corporation, respectively.



JM systems meet many of the requirements for today's important building codes, approval and certifications; however, not all systems meet all requirements. For detailed information on a specific roofing system, please contact your JM Sales Representative or visit us at www.jm.com/roofing.

JM offers up to 30-year Peak Advantage® Guarantees for new construction, complete tear-off or re-cover applications.

