

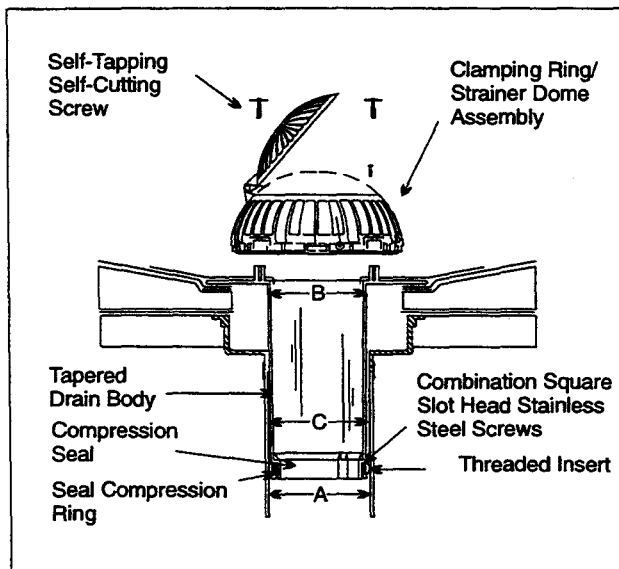
For Use With:

All membrane types.

Job Preparation:

1. Remove existing strainer dome and clamping ring.
2. Remove other existing drain components as required to enable RetroDrain flange to lie flush with roof membrane.
(In cases of a conversion to an inverted roof assembly, breaking off the existing drain bowl at deck height may be required.)
3. Remove any debris or constricting material that may have built up on the interior of the existing drain pipe which would interfere with proper installation of the RetroDrain.

Schuller SuperDome RetroDrain Parts Description:



Model Selection Chart:

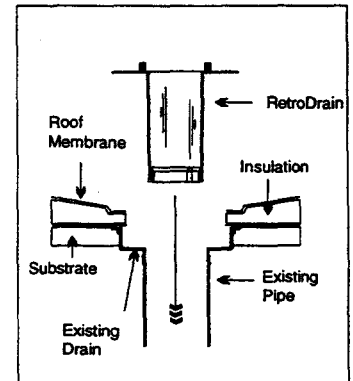
To fit existing Schedule 40 Pipes (I.D.) - A	SuperDome RetroDrain Model No.	SuperDome RetroDrain (O.D.) - B	SuperDome RetroDrain (O.D.) - C
3"	RD3SD	3"	2.8"
4"	RD4SD	4"	3.8"
5"	RD5SD	5"	4.8"
6"	RD6SD	6"	5.8"

Maintenance:

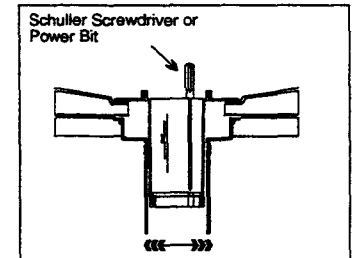
Debris should be regularly removed from strainer dome area to prevent excessive water build-up on the roof. No other maintenance is required.

Installation Steps:

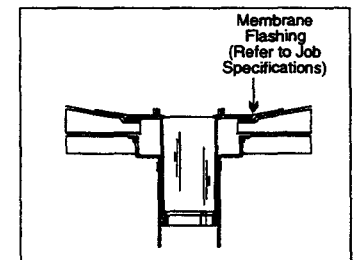
1. Insert RetroDrain body down into existing drain pipe until flange is flush with roof membrane.



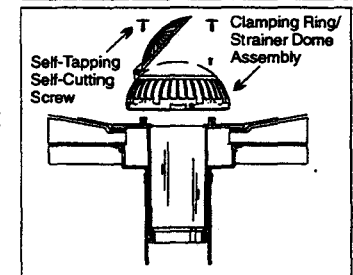
2. Alternately tighten seal compression screws with Schuller Screwdriver or Schuller Power Bit until hand tight. RetroDrain body is correctly installed when pressure placed on drain body results in no vertical movement. Care must be taken not to over-drive screws.



3. Punch holes in the flashing membrane for accurate positioning over clamping ring posts using the Schuller Template and Schuller Hole Punch. Flash in the RetroDrain flange as per roof manufacturer's installation detail.



4. Place clamping ring/strainer dome assembly over posts. Open hatch at top of strainer dome. Install 6 screws to tighten clamping ring against membrane flashing until secure.



5. Close hatch at top of strainer dome and tighten screw.

