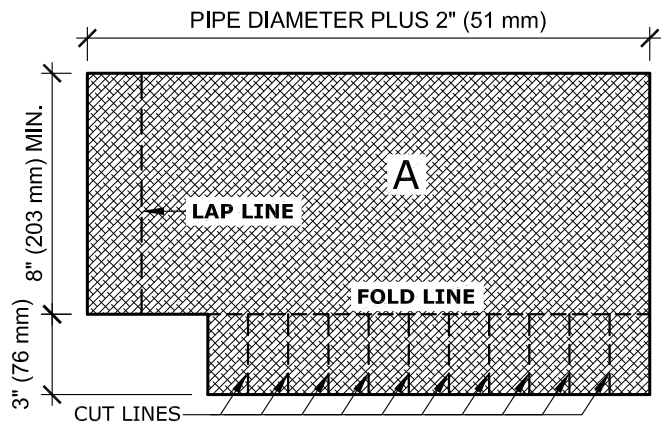
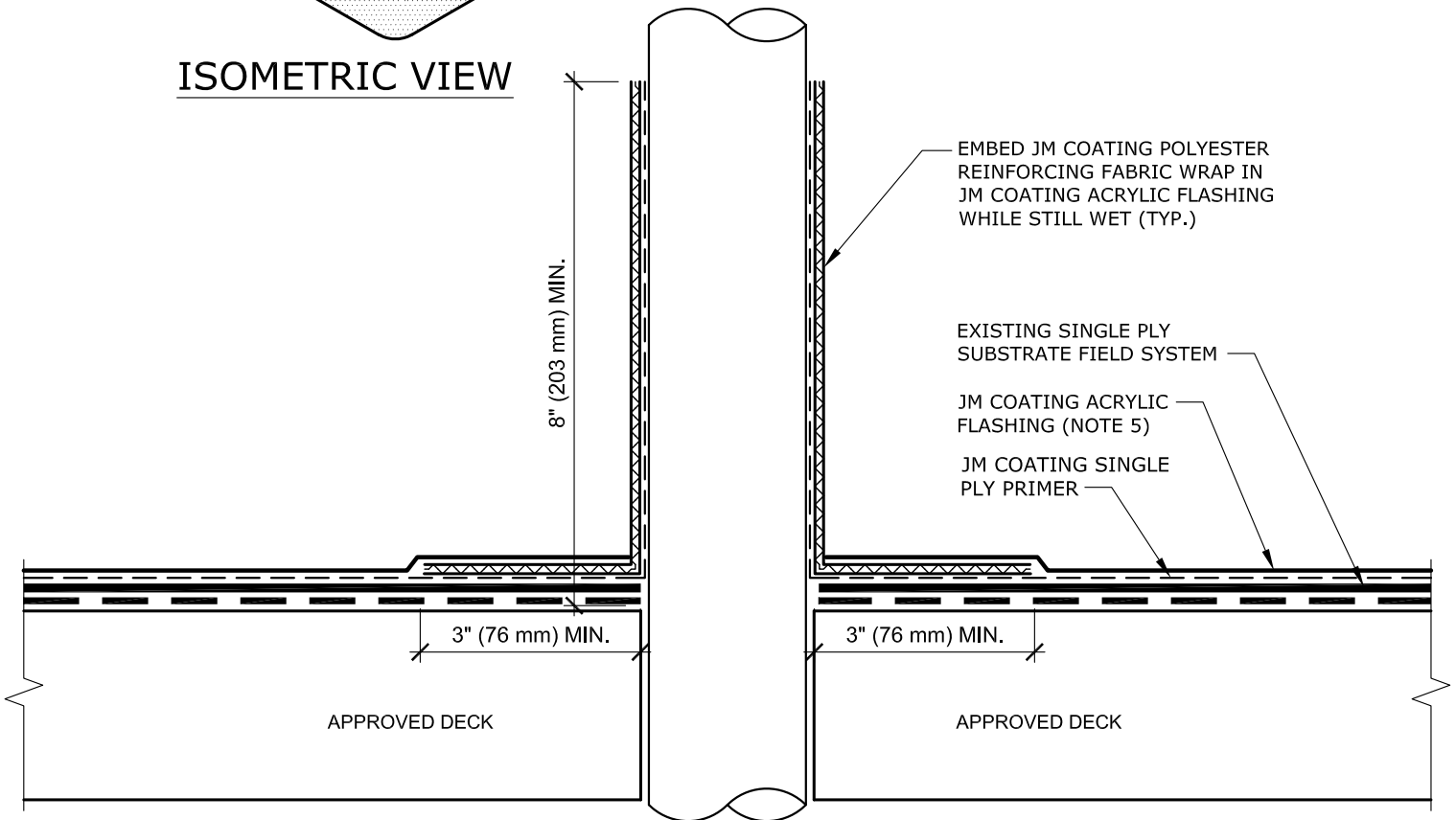


**ISOMETRIC VIEW**



**POLYESTER FINGER CUTS**



**NOTES:**

1. REFER TO JOHNS MANVILLE WEBSITE ([www.jm.com](http://www.jm.com)) FOR MOST UP-TO-DATE INFORMATION.
2. ANY CARPENTRY OR METAL WORK SHOULD BE DESIGNED AND CONSTRUCTED IN ACCORDANCE WITH LOCAL CODE REQUIREMENTS AND/OR PROJECT SPECIFICATIONS. THESE COMPONENTS SHOULD BE REVIEWED AND APPROVED BY A LICENSED DESIGN PROFESSIONAL.
3. JM COATING FLASHING CONSISTS OF JM COATING ACRYLIC FLASHING, JM COATING POLYESTER REINFORCING FABRIC, JM COATING ACRYLIC FLASHING. USE THE APPROPRIATE JM COATING SINGLE PLY PRIMER DEPENDING ON TYPE OF SUBSTRATE.
4. ENSURE ALL MEMBRANE TERMINATIONS ARE ENCAPSULATED IN JM COATING ACRYLIC FLASHING (TYP.)
5. FOR JM COATING ACRYLIC FIELD SYSTEM 5 AND 10 YEAR GUARANTEE TERMS, USE THE APPROPRIATE 2 COAT APPLICATION GALLONS PER SQUARE DEPENDING ON THE TYPE OF SINGLE PLY SUBSTRATE. USE THE APPROPRIATE JM COATING SINGLE PLY PRIMER WITH APPROPRIATE JM COATING ACRYLIC FIELD SYSTEM.
6. REFER TO JM COATING FLASHING SPECIFICATIONS FOR A FULL DESCRIPTION OF INSTALLATION INSTRUCTIONS AND REQUIREMENTS WHICH ARE CONSIDERED A PART OF THIS DETAIL.

DRAWING NO.

**CASP-FP-01**

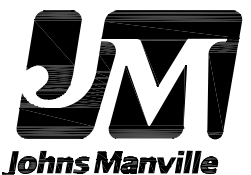
**PIPE PENETRATION FLASHING**

MEMBRANE TYPE:

JM COATING - ACRYLIC

MAXIMUM GUARANTEE TERM:

Johns Manville is a manufacturer of commercial roofing products and offers this general conceptual information to you as a courtesy. This complimentary assistance is not to be used or relied upon by anyone as a substitute for professional engineering design and documentation required by building code, contract, or applicable law. By accepting these comments you agree they do not constitute any representations, endorsements of, or an assumption by Johns Manville of any liability for either the adequacy of the design of this building or any other material not supplied by Johns Manville.



SCALE

N.T.S

ISSUE DATE

01-18-19