

**INSTALLED BOOT
ISOMETRIC VIEW**

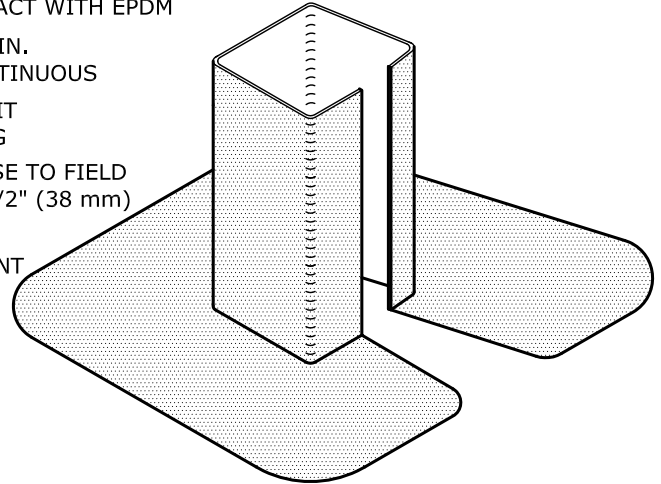
JM 6" EPDM PEEL & STICK FLASHING AROUND TOP OF FLASHING BOOT. LAP 3" (76 mm) ONTO FLASHING BOOT. APPLY JM EPDM SINGLE PLY PRIMER ONTO ALL SURFACES COMING INTO CONTACT WITH EPDM

OVERLAP WELDED MIN. 1 1/2" (38 mm) CONTINUOUS

JM TPO SQUARE SPLIT PIPE BOOT FLASHING

WELD FLASHING BASE TO FIELD MEMBRANE MIN. 1 1/2" (38 mm) CONTINUOUS

JM TPO EDGE SEALANT



**UNINSTALLED BOOT
ISOMETRIC VIEW**

CLEAN TOP 3" (76 mm) OF TPO PIPE BOOT WITH JM SINGLE PLY MEMBRANE CLEANER PRIOR TO INSTALLATION OF EPDM FLASHING

JM APPROVED FASTENER AND PLATE - PENETRATION DEPENDANT ON DECK MATERIAL(S). SEE SPECIFICATIONS FOR FURTHER INFORMATION

WELD FLASHING BASE TO FIELD MEMBRANE MIN. 1 1/2" (38 mm) MIN. WELD CONTINUOUS

8" (203 mm)

JM INSULATION / COVER BOARD

APPROVED DECK

JM 6" EPDM PEEL & STICK FLASHING AROUND TOP OF FLASHING BOOT. LAP 3" (76 mm) ONTO FLASHING BOOT. APPLY JM EPDM SINGLE PLY PRIMER ONTO ALL SURFACES COMING INTO CONTACT WITH EPDM

JM TPO SQUARE SPLIT PIPE BOOT FLASHING

JM TPO FIELD MEMBRANE

JM APPROVED FASTENER AND PLATE- MIN 4 AROUND PIPE

JM TPO EDGE SEALANT ALL AROUND BASE

1 1/2" (38 mm) MIN. WELD

JM INSULATION / COVER BOARD

APPROVED DECK

NOTES:

1. REFER TO JOHNS MANVILLE WEBSITE (www.jm.com) FOR MOST UP-TO-DATE INFORMATION.
2. ANY CARPENTRY OR METAL WORK SHOULD BE DESIGNED AND CONSTRUCTED IN ACCORDANCE WITH LOCAL CODE REQUIREMENTS AND/OR PROJECT SPECIFICATIONS. THESE COMPONENTS SHOULD BE REVIEWED AND APPROVED BY A LICENSED DESIGN PROFESSIONAL.
3. STANDARD JM SQUARE SPLIT PIPE BOOT SIZES ARE 2" AND 4".

DRAWING NO.

T-FP-05

NEW DETAIL

TPO SPLIT PIPE BOOT (SQUARE)

MEMBRANE TYPE:
JM TPO

SCALE
N.T.S

ISSUE DATE
11-17-16

MAXIMUM GUARANTEE TERM:
20 YEAR

Johns Manville is a manufacturer of commercial roofing products and offers this general conceptual information to you as a courtesy. This complimentary assistance is not to be used or relied upon by anyone as a substitute for professional engineering design and documentation required by building code, contract, or applicable law. By accepting these comments you agree they do not constitute any representations, endorsements of, or an assumption by Johns Manville of any liability for either the adequacy of the design of this building or any other material not supplied by Johns Manville.

