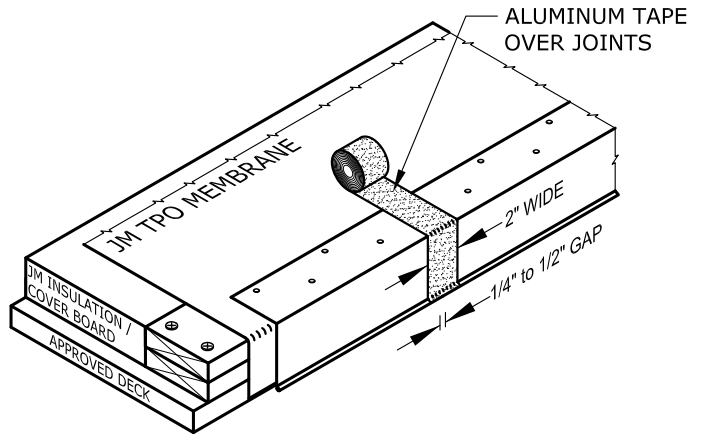
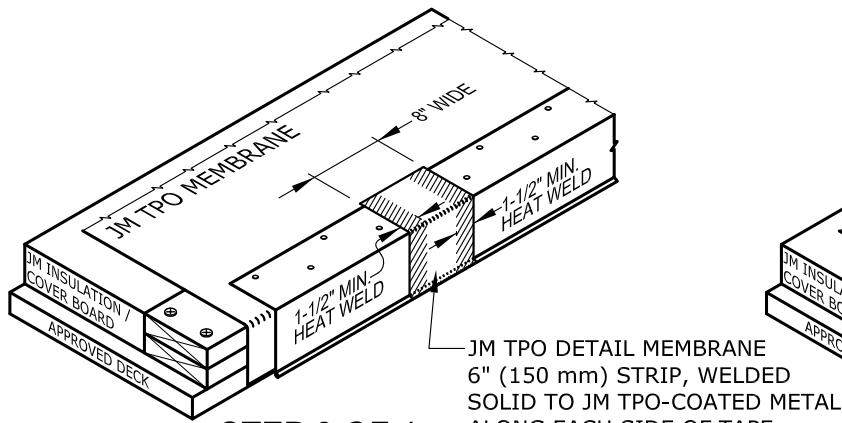


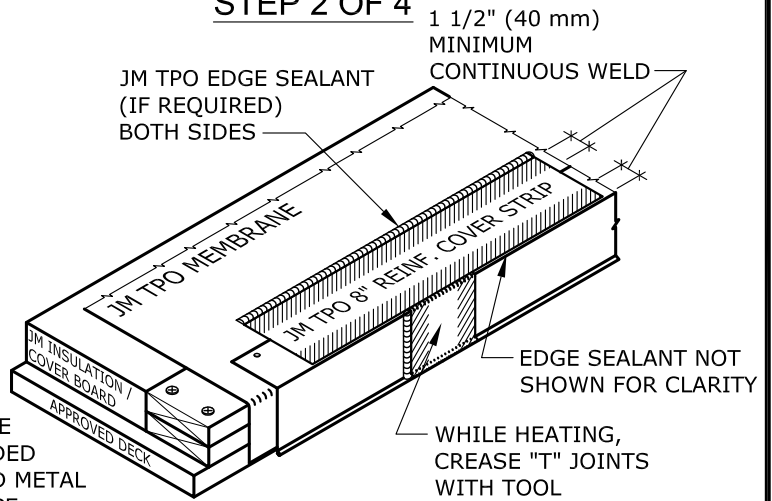
STEP 1 OF 4



STEP 2 OF 4



STEP 3 OF 4



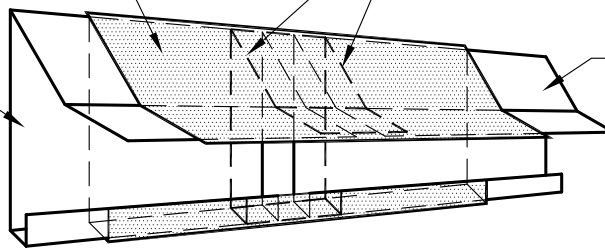
STEP 4 OF 4

JM TPO DETAIL MEMBRANE 6" (150 mm) STRIP, WELDED SOLID TO JM TPO-COATED METAL ALONG EACH SIDE OF TAPE

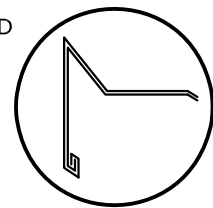
ALUMINUM TAPE COVERING ENTIRE LENGTH OF 1/4" (7 mm) MINIMUM TO 1/2" (15 mm) MAXIMUM WIDTH JM TPO-COATED METAL JOINT

TPO COATED METAL

TPO COATED METAL



GRAVEL STOP



PROFILE VIEW

**NOTES:**

1. REFER TO JOHNS MANVILLE WEBSITE ([www.jm.com](http://www.jm.com)) FOR MOST UP-TO-DATE INFORMATION.
2. PLEASE SEE SINGLE PLY FLASHING SPECIFICATIONS FOR A FULL DESCRIPTION OF INSTALLATION INSTRUCTIONS AND REQUIREMENTS WHICH ARE CONSIDERED A PART OF THIS DETAIL.
3. ANY CARPENTRY OR METAL WORK SHOULD BE DESIGNED AND CONSTRUCTED IN ACCORDANCE WITH LOCAL CODE REQUIREMENTS AND/OR PROJECT SPECIFICATIONS. THESE COMPONENTS SHOULD BE REVIEWED AND APPROVED BY A LICENSED DESIGN PROFESSIONAL.
4. JM TPO EDGE SEALANT IS REQUIRED ON ALL CUT OR NON-ENCAPSULATED EDGES OF REINFORCED MEMBRANE. THIS INCLUDES FACTORY CUT MEMBRANE (SEE DETAIL T-MS-01).

DRAWING NO.

**T-FE-CM6**

REPLACES TE-15

SCALE N.T.S

ISSUE DATE 3-29-16

**BUTT JOINT AT EDGE (TPO COATED METAL)**

MEMBRANE TYPE: JM TPO

MAXIMUM GUARANTEE TERM: 30 YEAR

Johns Manville is a manufacturer of commercial roofing products and offers this general conceptual information to you as a courtesy. This complimentary assistance is not to be used or relied upon by anyone as a substitute for professional engineering design and documentation required by building code, contract, or applicable law. By accepting these comments you agree they do not constitute any representations, endorsements of, or an assumption by Johns Manville of any liability for either the adequacy of the design of this building or any other material not supplied by Johns Manville.

