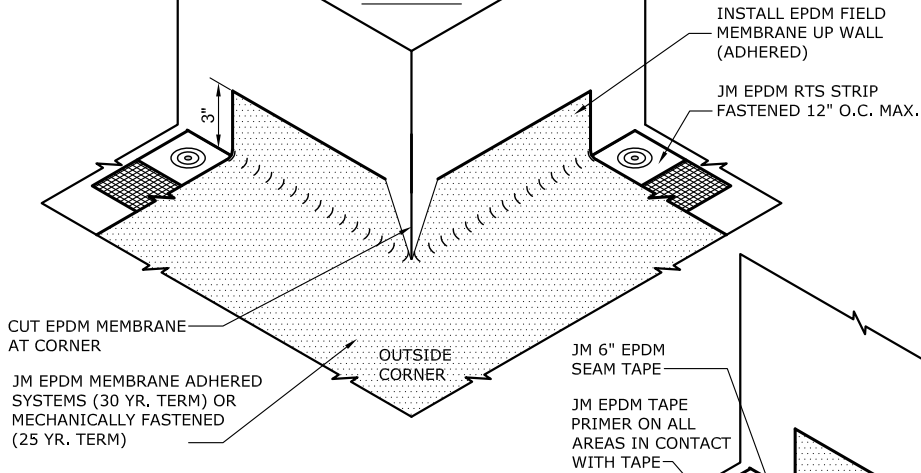


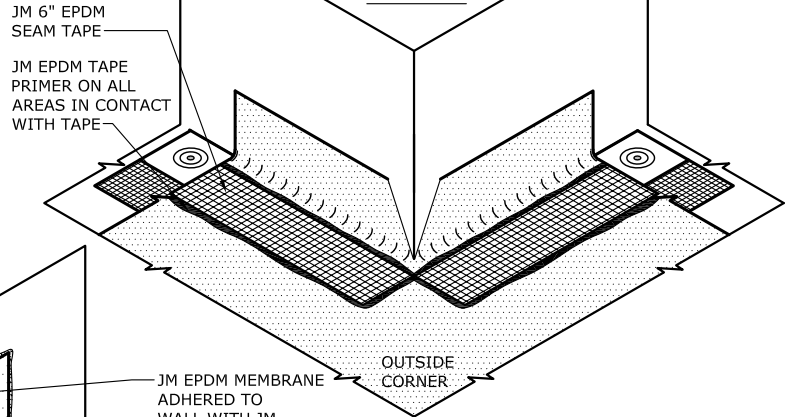
STEP 1



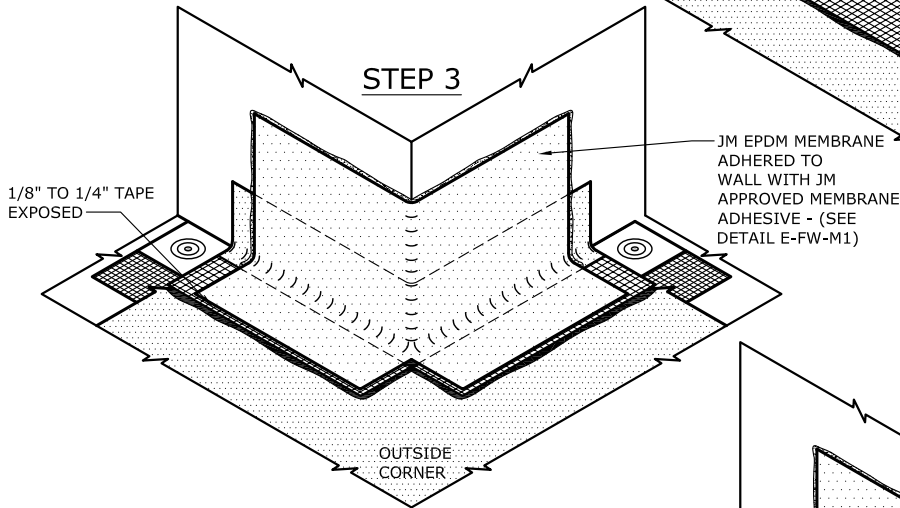
NOTE:
 JM EPDM TAPE PRIMER MUST BE APPLIED ON ALL SURFACES COMING INTO CONTACT WITH JM EPDM PEEL & STICK FLASHING.

- JM EPDM (BLACK) MEMBRANE REQUIRES: JM EPDM TAPE PRIMER OR JM SINGLE PLY MEMBRANE PRIMER (LOW VOC).
- JM WHITE EPDM MEMBRANE REQUIRES: JM TPO MEMBRANE PRIMER OR JM SINGLE PLY MEMBRANE PRIMER (LOW VOC).

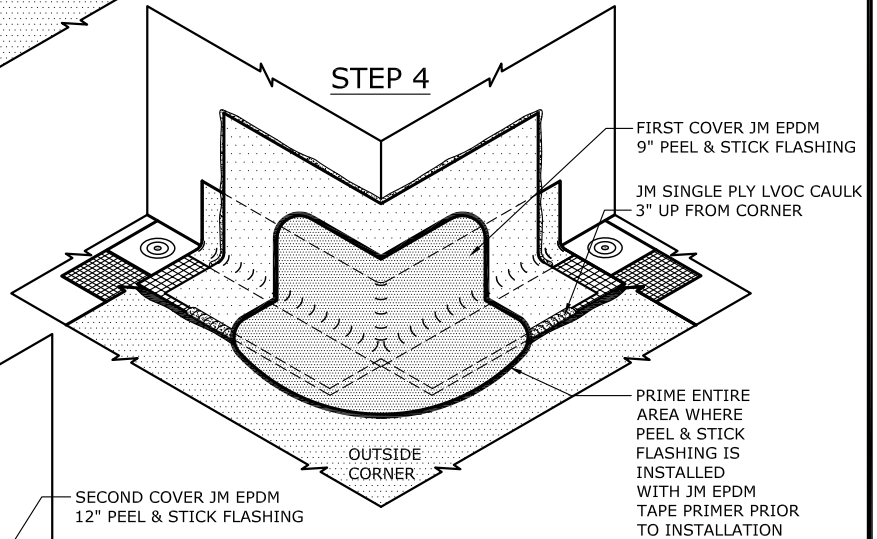
STEP 2



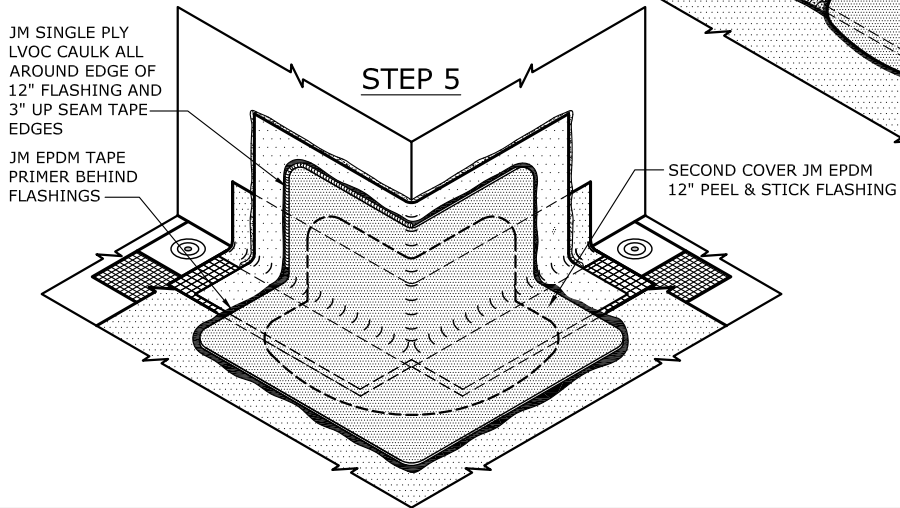
STEP 3



STEP 4



STEP 5



DRAWING NO.
E-FC-08
 CURB & CORNER
 SCALE N.T.S. ISSUE DATE 03-10-21

EPDM OUTSIDE CORNER WITH RTS STRIPS 30 YEAR
 MEMBRANE TYPE:
 JM EPDM /JM WHITE EPDM
 MAXIMUM GUARANTEE TERM:
 30 YEAR

Johns Manville is a manufacturer of commercial roofing products and offers this general conceptual information to you as a courtesy for general educational purposes only. This complimentary assistance is not to be either used or relied upon by anyone as a substitute for professional engineering design and documentation required by any building code, contract, or applicable law. By accepting the general conceptual information, you agree it does not constitute any representations, endorsements of, or an assumption by Johns Manville of any duty or liability for either the adequacy of the design of a building, any of its components or the sufficiency of any construction.

