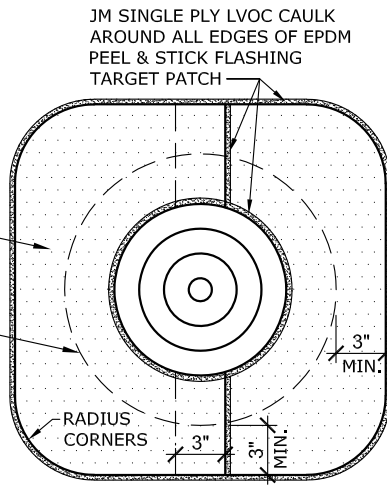


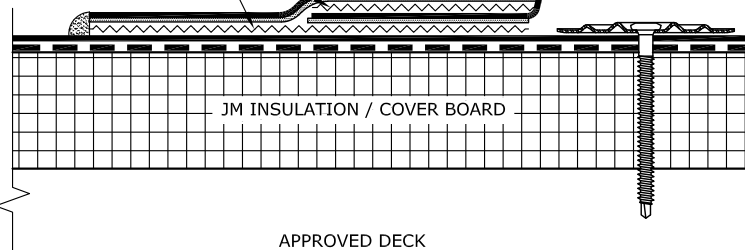
JM EPDM PEEL & STICK TARGET PATCH INSTALLED USING TWO PIECES OF 12" EPDM PEEL & STICK FLASHING CUT AROUND PIPE BOOT AND OVERLAPPED 3" AS SHOWN

PEEL & STICK PIPE BOOT BOTTOM FLANGE UNDER TARGET PATCH



PIPE BOOT PLAN VIEW

JM SINGLE PLY LVOC CAULK
JM EPDM 6" PEEL & STICK FLASHING TARGET PATCH
JM EPDM TAPE PRIMER SEE NOTE 4



APPROVED DECK

PIPE PENETRATION

JM SINGLE PLY LVOC CAULK (AT TOP OF CLAMP (SLOPED TO SHED WATER))
JM SINGLE PLY SEALING MASTIC
JM SINGLE PLY LVOC CAULK (AT TOP OF CLAMP)
JM SINGLE PLY SEALING MASTIC (BETWEEN PIPE AND NECK OF BOOT)
S.S. CLAMP AND SCREW
SHEET METAL RAIN COLLAR PER SMACNA OR NRCA FASTENED TIGHT AROUND PIPE WITH PIPE STRAP

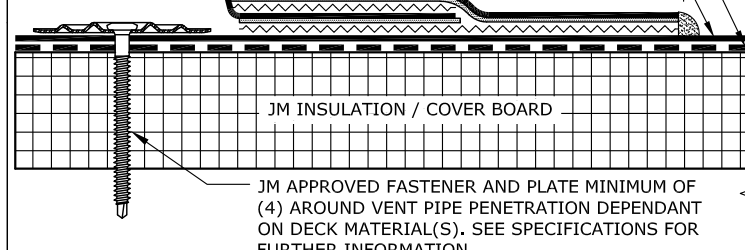
JM EPDM PEEL & STICK PIPE BOOT

JM EPDM MEMBRANE ADHESIVE (FOR ADHERED SPECIFICATIONS ONLY)

JM EPDM MEMBRANE ADHERED OR MECHANICALLY FASTENED

3" (76 mm) MIN.

3" (76 mm) MIN.



JM INSULATION / COVER BOARD
JM APPROVED FASTENER AND PLATE MINIMUM OF (4) AROUND VENT PIPE PENETRATION DEPENDANT ON DECK MATERIAL(S). SEE SPECIFICATIONS FOR FURTHER INFORMATION

APPROVED DECK

NOTES:

1. REFER TO JOHNS MANVILLE WEBSITE (www.jm.com) FOR THE MOST CURRENT INFORMATION.
2. ANY CARPENTRY, METAL WORK, OR MASONRY CONSTRUCTION SHOULD BE DESIGNED AND CONSTRUCTED IN ACCORDANCE WITH LOCAL CODE REQUIREMENTS AND/OR PROJECT SPECIFICATIONS. THESE COMPONENTS SHOULD BE REVIEWED AND APPROVED BY A LICENSED DESIGN PROFESSIONAL.
3. JM EPDM MEMBRANE MUST BE CLEANED, THEN PRIMED ON TOP OF MEMBRANE AT SEAM TAPE WITH JM EPDM TAPE PRIMER. ROLL MEMBRANE WITH ROLLER UNDER PRESSURE AT PEEL & STICK SEAM TAPE OVER EPDM FLASHING.
4. JM EPDM TAPE PRIMER OR JM SINGLE PLY MEMBRANE PRIMER (LOW VOC) MUST BE APPLIED ON ALL SURFACES COMING INTO CONTACT WITH JM PEEL & STICK FLASHINGS. ROLL MEMBRANE WITH HAND ROLLER UNDER PRESSURE AT FLASHING.
5. PLEASE SEE SINGLE PLY FLASHING SPECIFICATIONS FOR A FULL DESCRIPTION OF INSTALLATION INSTRUCTIONS AND REQUIREMENTS WHICH ARE CONSIDERED A PART OF THIS DETAIL.

PENETRATION WITH JM PEEL & STICK PIPE BOOT

DRAWING NO.
3E-FP-01
PENETRATION

MEMBRANE TYPE:
JM EPDM
MAXIMUM GUARANTEE TERM:
30 YEAR

ISSUE DATE
10-01-20
SCALE
N.T.S

Johns Manville is a manufacturer of commercial roofing products and offers this general conceptual information to you as a courtesy for general educational purposes only. This complimentary assistance is not to be either used or relied upon by anyone as a substitute for professional engineering design and documentation required by any building code, contract, or applicable law. By accepting the general conceptual information, you agree it does not constitute any representations, endorsements of, or an assumption by Johns Manville of any duty or liability for either the adequacy of the design of a building, any of its components or the sufficiency of any construction.

