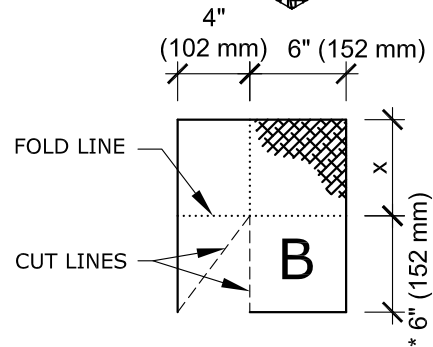
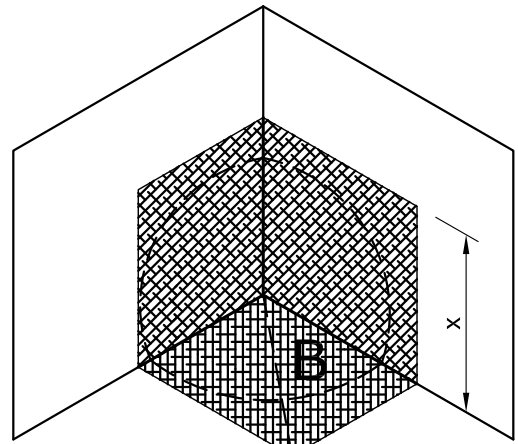
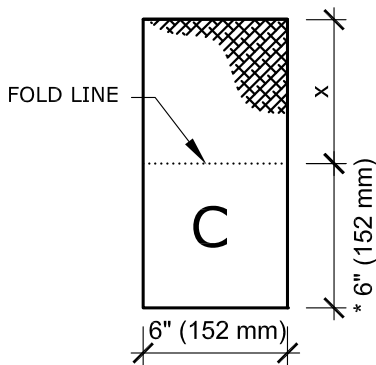
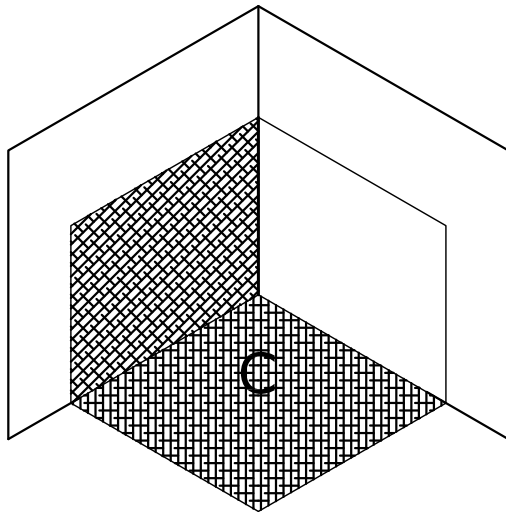


A CORNER REINFORCEMENT
STEP A



B WALL TRANSITION
STEP B



C WALL REINFORCEMENT
STEP C

USE THIS SCRIM LAYOUT IN CONJUNCTION WITH
DETAIL LB-FC-05I WHICH IS PART OF THIS INSTALLATION

ALL FOLD LINES REPRESENTED AS
ALL CUT LINES REPRESENTED AS - - - - -

*ADD 3 1/2" IF DETAIL UTILIZES CANT STRIP

JM RECOMMENDS DIMENSION "X" TO BE AT LEAST 6"
BUT VARIATION IS ALLOWED FOR LOWER THRESHOLDS

NOTES:

1. REFER TO JOHNS MANVILLE WEBSITE (www.jm.com) FOR MOST UP-TO-DATE INFORMATION.
2. PLEASE SEE JM PMMA FLASHING SPECIFICATIONS FOR A FULL DESCRIPTION OF INSTALLATION INSTRUCTIONS AND REQUIREMENTS WHICH ARE CONSIDERED A PART OF THIS DETAIL.
3. ANY CARPENTRY OR METAL WORK SHOULD BE DESIGNED AND CONSTRUCTED IN ACCORDANCE WITH LOCAL CODE REQUIREMENTS AND/OR PROJECT SPECIFICATIONS. THESE COMPONENTS SHOULD BE REVIEWED AND APPROVED BY A LICENSED DESIGN PROFESSIONAL.
4. JM PMMA MEMBRANE FLASHING CONSISTS OF JM PMMA STANDARD RESIN, JM PMMA SCRIM, JM PMMA STANDARD RESIN. USE THE APPROPRIATE JM PMMA PRIMER DEPENDING ON TYPE OF SUBSTRATE.

DRAWING NO.

LB-FC-05S

CURB & CORNER

SCALE N.T.S. ISSUE DATE 12-15-20

MEMBRANE TYPE:
JM PMMA OVER BITUMINOUS

MAXIMUM GUARANTEE TERM:
20 YEAR

TYPICAL INSIDE CORNER SCRIM LAYOUT

Johns Manville is a manufacturer of commercial roofing products and offers this general conceptual information to you as a courtesy for general educational purposes only. This complimentary assistance is not to be either used or relied upon by anyone as a substitute for professional engineering design and documentation required by any building code, contract, or applicable law. By accepting the general conceptual information, you agree it does not constitute any representations, endorsements of, or an assumption by Johns Manville of any duty or liability for either the adequacy of the design of a building, any of its components or the sufficiency of any construction.

