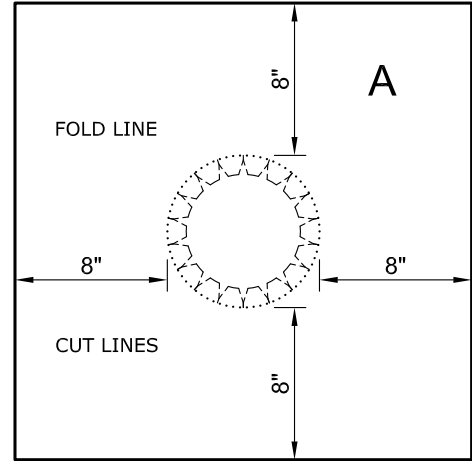
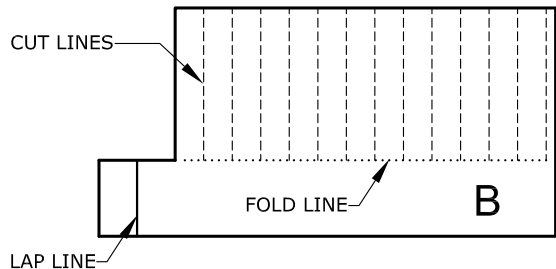
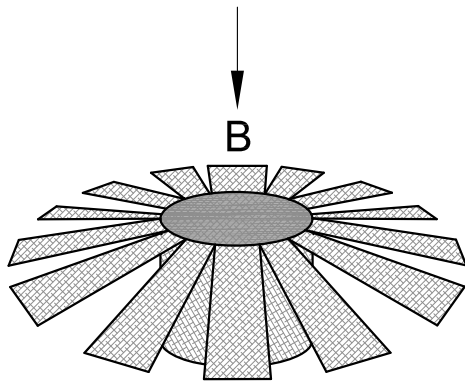


A 2-PIECE "A" SHEET MAY BE NECESSARY FOR STEEP SUMPS. DRY FIT SCRIM TO DETERMINE CONFIGURATION.



A TARGET PATCH
STEP A



B DRAIN INSERT
STEP B



NOTES:

- A. USE SCRIM DETAIL IN CONJUNCTION WITH THE PERMAFLASH LAYOUT DRAWING, PMF-5.
- B. EMBED ALL PRE-CUT SCRIM INTO A FULL WET BASE COAT OF MBR FLASHING CEMENT. ALLOW EACH COAT TO FULLY CURE BEFORE APPLICATION OF SUBSEQUENT COATS.
- C. ENCAPSULATE ALL SCRIM COMPLETELY WITH A MINIMUM OF A 60 MIL COVERING.
- D. ALL FOLD LINES REPRESENTED AS
ALL CUT LINES REPRESENTED AS -----

DRAWING NO.

PMF-5S

PERMAFLASH DRAIN SCRIM DETAIL

MEMBRANE TYPE:
PERMAFLASH

MAXIMUM GUARANTEE TERM:

SCALE
N.T.S

ISSUE DATE
7-14-14

Johns Manville is a manufacturer of commercial roofing products and offers this general conceptual information to you as a courtesy. This complimentary assistance is not to be used or relied upon by anyone as a substitute for professional engineering design and documentation required by building code, contract, or applicable law. By accepting these comments you agree they do not constitute any representations, endorsements of, or an assumption by Johns Manville of any liability for either the adequacy of the design of this building or any other material not supplied by Johns Manville.

