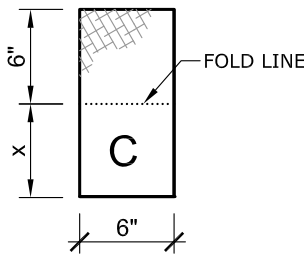
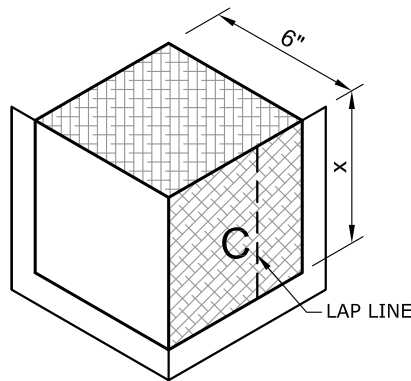


A CORNER REINFORCEMENT

STEP A

B WALL TRANSITION

STEP B



NOTES:

- A. USE SCRIM LAYOUT IN CONJUNCTION WITH THE PERMAFLASH CURB CORNER DETAIL DRAWING, PMF-4.
- B. ALL FOLD LINES REPRESENTED AS ALL CUT LINES REPRESENTED AS - - - - -
- C. AN EXTRA COAT OF MBR FLASHING CEMENT OR **1-PART PERMAFLASH®** MUST BE PLACED BETWEEN SCRIM LAYERS WHERE THEY OVERLAP TO ENSURE A PROPER BOND.
- D. JM RECOMMENDS DIMENSION "x" TO BE AT LEAST 6", BUT VARIATION IS ALLOWED FOR LOWER THRESHOLDS.

C WALL REINFORCEMENT

STEP C

DRAWING NO.

PMF-4Sa

CURB & CORNER

PERMAFLASH OUTSIDE CORNER SCRIM LAYOUT (TOP)

MEMBRANE TYPE:
PERMAFLASH

SCALE
N.T.S

ISSUE DATE
09-25-23

MAXIMUM GUARANTEE TERM:

Johns Manville is a manufacturer of commercial roofing products and offers this general conceptual information to you as a courtesy. This complimentary assistance is not to be used or relied upon by anyone as a substitute for professional engineering design and documentation required by building code, contract, or applicable law. By accepting these comments you agree they do not constitute any representations, endorsements of, or an assumption by Johns Manville of any liability for either the adequacy of the design of this building or any other material not supplied by Johns Manville.

