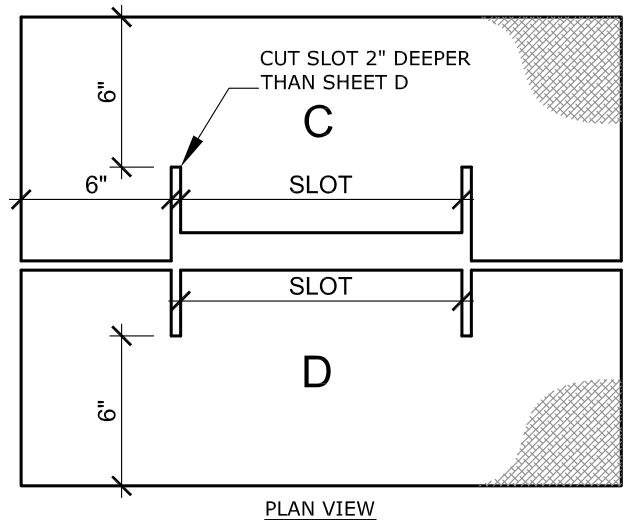
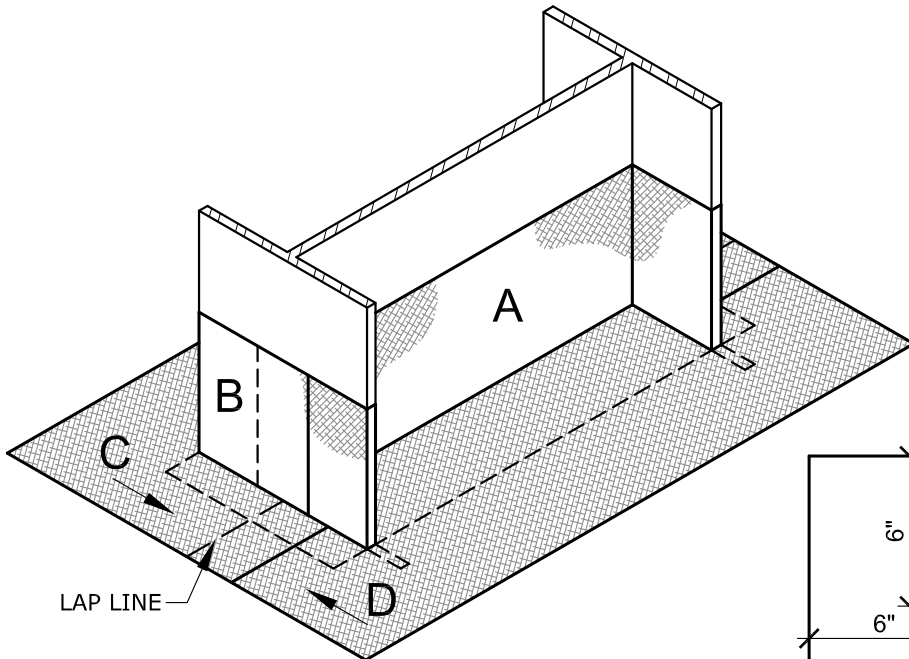


VERTICAL SURFACES
STEPS A & B



HORIZONTAL SURFACES
STEPS C & D

NOTES:

- A. USE SCRIM LAYOUT IN CONJUNCTION WITH THE PERMAFLASH I-BEAM DETAIL DRAWING, PMF-1.
- B. ALL FOLD LINES SHOWN AS ALL CUT LINES SHOWN AS - - - - -
- C. AN EXTRA COAT OF MBR FLASHING CEMENT MUST BE PLACED BETWEEN SCRIM LAYERS WHERE THEY OVERLAP TO ENSURE A PROPER BOND.

DRAWING NO.

PMF-1S

PERMAFLASH I-BEAM SCRIM LAYOUT

MEMBRANE TYPE:
PERMAFLASH

MAXIMUM GUARANTEE TERM:

SCALE
 N.T.S

ISSUE DATE
 7-10-14

Johns Manville is a manufacturer of commercial roofing products and offers this general conceptual information to you as a courtesy. This complimentary assistance is not to be used or relied upon by anyone as a substitute for professional engineering design and documentation required by building code, contract, or applicable law. By accepting these comments you agree they do not constitute any representations, endorsements of, or an assumption by Johns Manville of any liability for either the adequacy of the design of this building or any other material not supplied by Johns Manville.

