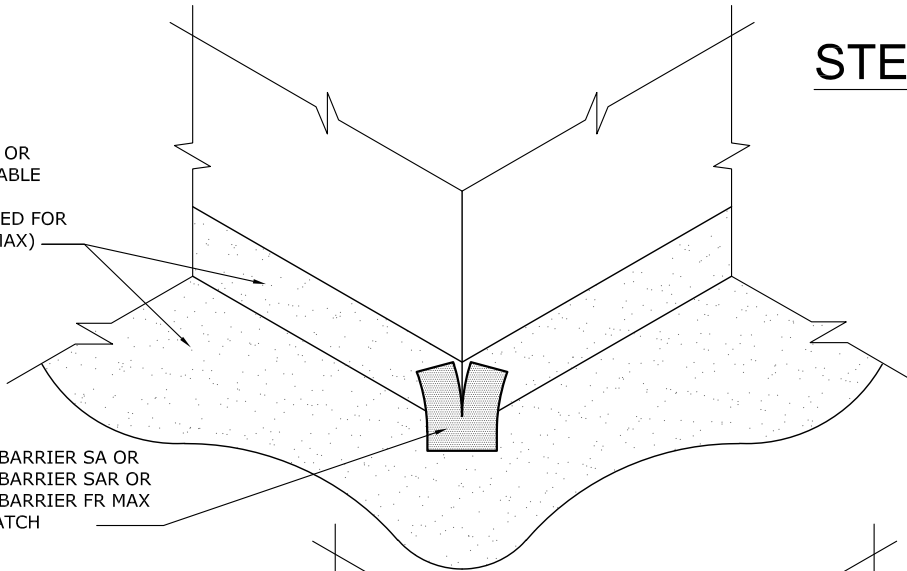


# STEP 1

JM SA PRIMER OR  
JM SA PRIMER LOW VOC OR  
JM ALL SEASONS SPRAYABLE  
BONDING ADHESIVE  
(PRIMER IS NOT REQUIRED FOR  
JM VAPOR BARRIER FR MAX)

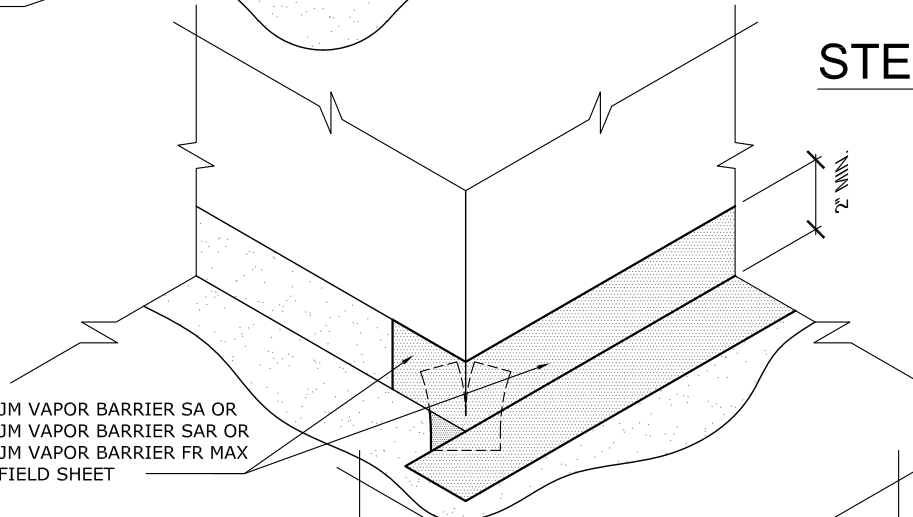
JM VAPOR BARRIER SA OR  
JM VAPOR BARRIER SAR OR  
JM VAPOR BARRIER FR MAX  
CORNER PATCH



# STEP 2

JM VAPOR BARRIER SA OR  
JM VAPOR BARRIER SAR OR  
JM VAPOR BARRIER FR MAX  
FIELD SHEET

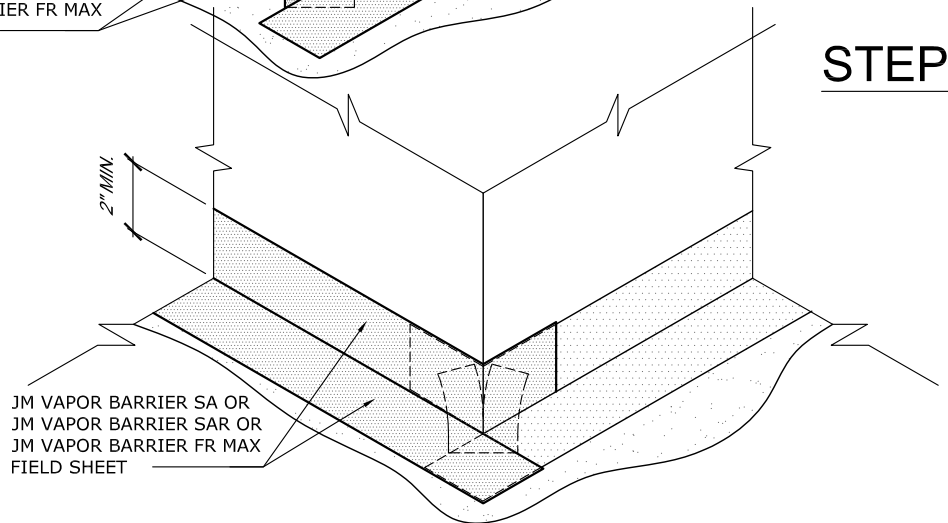
2" MIN.



# STEP 3

JM VAPOR BARRIER SA OR  
JM VAPOR BARRIER SAR OR  
JM VAPOR BARRIER FR MAX  
FIELD SHEET

2" MIN.



**NOTES:**

1. REFER TO JOHNS MANVILLE WEBSITE ([www.jm.com](http://www.jm.com)) FOR MOST UP-TO-DATE INFORMATION.
2. REFER TO JM VAPOR BARRIER FIELD GUIDE FOR INSTALLATION INSTRUCTIONS AND GENERAL GUIDELINES REGARDING THESE PRODUCTS.
3. ANY CARPENTRY OR METAL WORK SHOULD BE DESIGNED AND CONSTRUCTED IN ACCORDANCE WITH LOCAL CODE REQUIREMENTS AND/OR PROJECT SPECIFICATIONS. THESE COMPONENTS SHOULD BE REVIEWED AND APPROVED BY A LICENSED DESIGN PROFESSIONAL.
4. FOR STEEL DECK SYSTEMS, CERTAIN ASSEMBLIES MAY BE REQUIRED TO HAVE A MINIMUM OF 1/2" THERMAL BARRIER FASTENED TO STEEL DECK BEFORE VAPOR BARRIER IS ADHERED.
5. PRIMER IS OPTIONAL FOR ROOF SYSTEMS WITH A FASTENED BOARD OR MEMBRANE ABOVE THE VAPOR BARRIER.

DRAWING NO.

**VB-5**

VAPOR BARRIER

## JM VAPOR BARRIER - OUTSIDE CORNER DETAIL

MEMBRANE TYPE:  
SA-SAR-FR MAX

Johns Manville is a manufacturer of commercial roofing products and offers this general conceptual information to you as a courtesy for general educational purposes only. This complimentary assistance is not to be either used or relied upon by anyone as a substitute for professional engineering design and documentation required by any building code, contract, or applicable law. By accepting the general conceptual information, you agree it does not constitute any representations, endorsements of, or an assumption by Johns Manville of any duty or liability for either the adequacy of the design of a building, any of its components or the sufficiency of any construction.



SCALE

N.T.S

ISSUE DATE

05-05-25

MAXIMUM GUARANTEE TERM:

N/A