

Features and Components

High Load Plates are heavy duty Galvalume®*-coated steel seam plates with eye hooks.

High Load Plus Plates are heavy duty Galvalume-coated steel seam plates with barbs.

JM 90 Seam Plate (not pictured) are heavy duty Galvalume-coated steel seam plates with eye hooks.

Use: Membranes

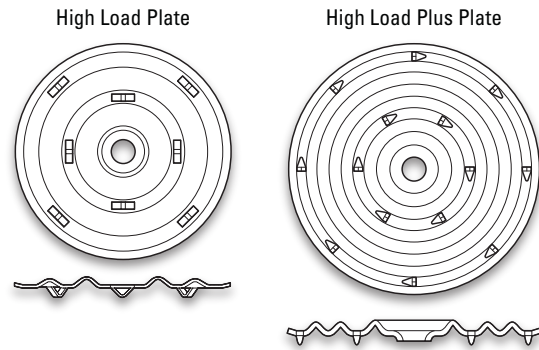
Material: Galvalume-Coated Steel

Gauge: 20-Gauge Steel

Size: High Load Plate - 2 $\frac{3}{8}$ " (6.03 cm) round
 High Load Plus Plate - 2 $\frac{3}{4}$ " (6.99 cm) round
 JM 90 Seam Plate - 3" (7.62 cm)

Color: Grey (Galvalume-coated steel)

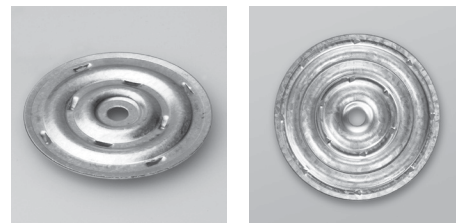
* Galvalume is a registered trademark of BIEC International, Inc. and some of its licensed producers.



Component
F
 Fastening

Type
M
 Membrane

Multi-Ply
 Single Ply



High Load Plate High Load Plus Plate

System Compatibility This product may be used as a component in the following systems. Please reference product application for specific installation methods and information.

Multi-Ply	BUR		APP		SBS				
	HA	CA	CA	HW	HA	CA	HW	CA	MF
Compatible with the selected Multi-Ply system above									

Single Ply	TPO		PVC		EPDM		
	MF	FA	MF	FA	MF	FA	BA
Compatible with the selected Single Ply systems above							

Key: HA = Hot Applied CA = Cold Applied HW = Heat Weldable SA = Self Adhered MF = Mechanically Fastened FA = Fully Adhered BA = Ballasted

Energy and the Environment

Recycled Content	This steel based product contains a minimum of 25% post consumer recycled materials by weight
------------------	---

Peak Advantage® Guarantee Information

Systems	Approved to use with any Peak Advantage Guarantee
---------	---

Codes and Approvals*



*Fastener approvals are based on system approvals

Installation/Application

Refer to the application instructions guidelines for proper utilization of this product.

Packaging and Dimensions

Plate Size	Size	Packaging
High Load Plate	2 $\frac{3}{8}$ " (6.03 cm) round	1,000/pail
High Load Plus Plate	2 $\frac{3}{4}$ " (7 cm) round	500/pail
JM 90 Seam Plate	3" (7.62 cm)	500/pail
Producing Location	Itasca, IL	