

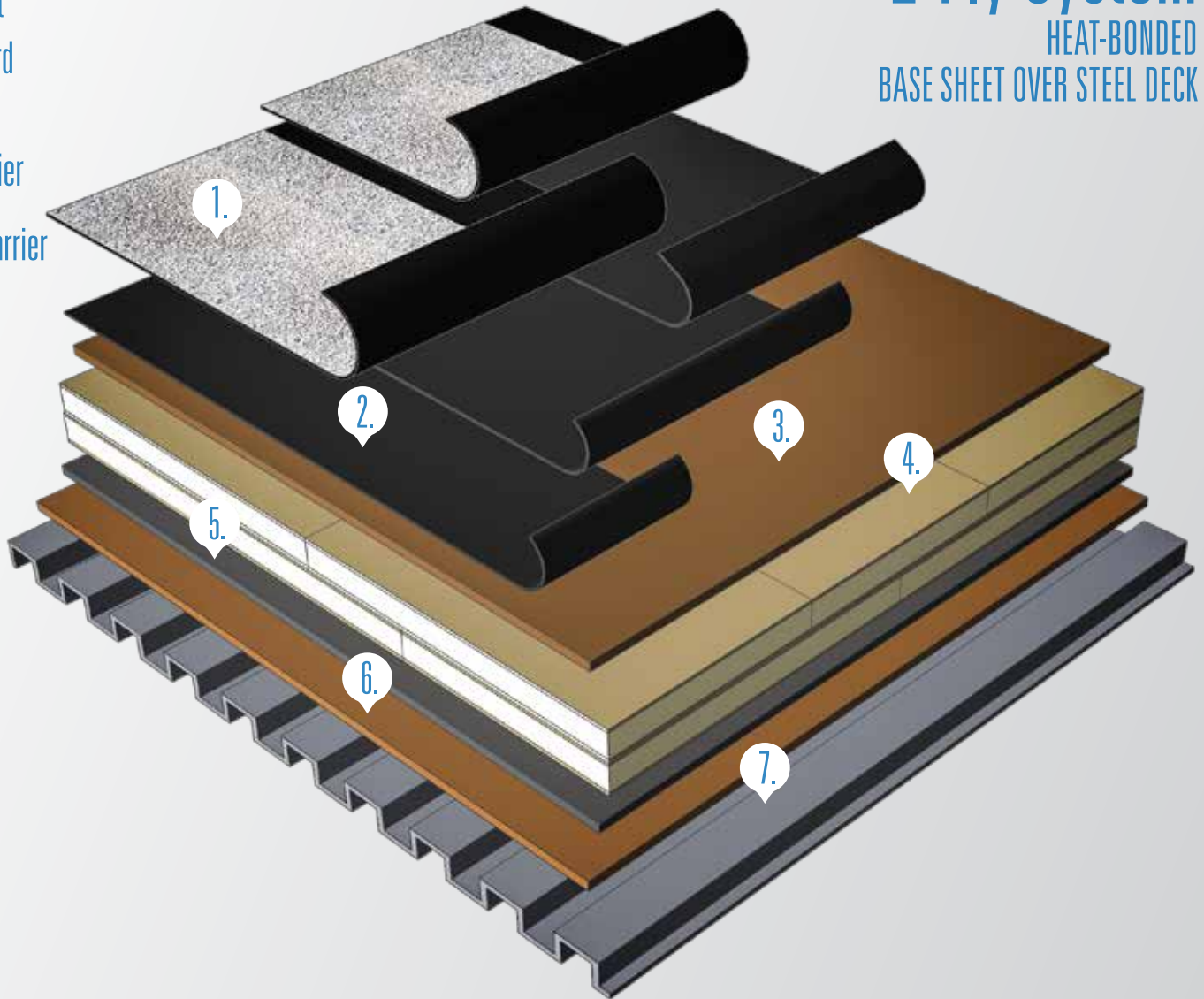


Torch-Applied APPeX[®]

WITH HEAT-BONDED BASE SHEET, UL[®] CODE APPROVALS
STEEL DECK

1. Cap Sheet
2. Base Sheet
3. Cover Board
4. Insulation
5. Vapor Barrier
(optional)
6. Thermal Barrier
(optional)
7. Steel Deck

2-Ply System
HEAT-BONDED
BASE SHEET OVER STEEL DECK



UL CLASS A APP APPROVALS—INSULATED SYSTEMS

Deck	Insulation	Cover Board	Base Sheet	Cap Sheet	UL Class A Fire Rating
STEEL OR CONCRETE	ENRGY3 [®]	DuraBoard [®] , Securock Gypsum-Fiber, Dexcell FA or DensDeck [®] Primed (Any Thickness)	One or more plies: JM APP Base or APPeX 4S	APPeX 4.5M	1/2":12"
				APPeX 4.5M CR G	1/4":12"
				APPeX 4.5M FR CR G	1/2":12"