

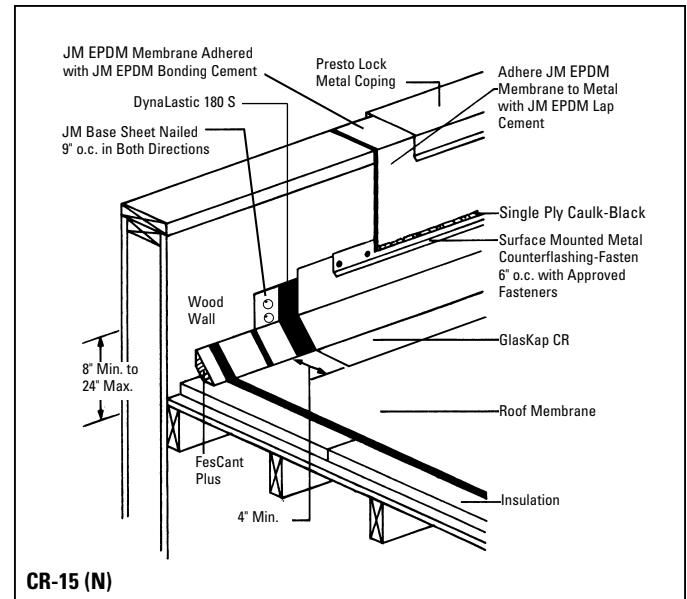
Specification CR-15

General

Note: All general instructions contained in the current JM Commercial/Industrial Roofing Systems Manual are to be considered part of this specification.

High wall flashing for load-bearing masonry wall construction

High Wall Flashing: Apply base flashing, as outlined in Specification CR-1 (LB) or CR-2 for masonry construction, or CR-3 (WL) for wood construction. The completed base flashing should extend between 8" and 24" (203 mm and 610 mm) above the level of the roof membrane. Terminate the base flashing with an approved surface-mounted metal counterflashing, fastened 6" (152 mm) o.c. maximum with approved fasteners. Apply a piece of JM EPDM membrane over the top of the wall and extending down over the metal counterflashing, using JM EPDM Bonding Cement. The piece of JM EPDM membrane should cover the metal counterflashing to the top of its drip edge, and must cover the fasteners in the metal counterflashing by a minimum of 1" (25 mm). Install a sheet metal coping over the top of the wall, in accordance with the coping manufacturer's specifications and details, or in accordance with SMACNA procedures. Refer to Section 2h on "Specialty Roofing Products." Apply JM Single Ply Caulk - Black to the edge of the EPDM sheet.



Specification CR-15 (N)

High wall flashing for load-bearing wood wall construction

High wall flashing for load-bearing wood wall construction

Note: For the most current information on general guidelines, please refer to the System Considerations tab under Systems Introduction & Selection on the JM Roofing Web site. For specifications, flashing details and general installation information please refer to the System Application tab.

Refer to the Material Safety Data Sheet and product label prior to using this product.