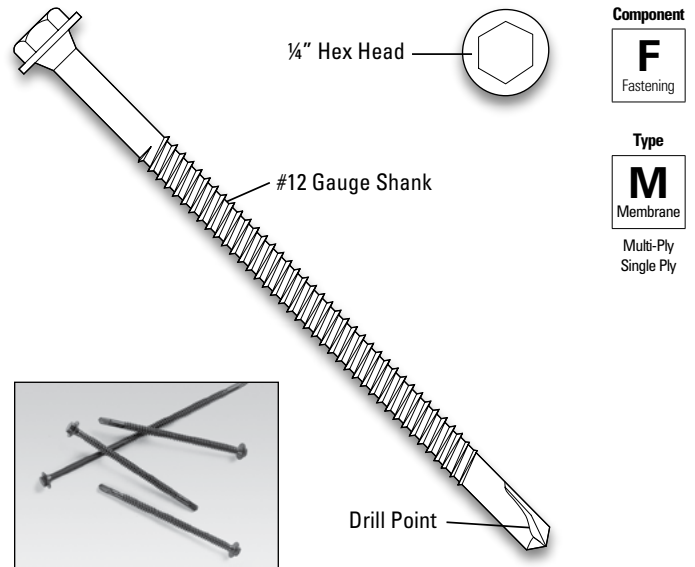


Features and Components

The JM Purlin Fastener is a steel-coated fastener with a ¼" hex head and ¾" (19 mm) drill point. The drill point allows the fastener to be drilled through the purlin before the threads engage into the standing seam metal roof.

- Use:** Membranes
- Material:** Steel Coated Fasteners
- Gauge:** #12
- Head:** ¼" Hex Head
- Plate:** 2¾" (6.03 cm) round
- Color:** Grey
- Deck Type:** Structural Steel Purlins 12 - 18 gauge (2.77 mm - 1.25 mm) Metal.



Component
F
Fastening

Type
M
Membrane
Multi-Ply
Single Ply

System Compatibility This product may be used as a component in the following systems. Please reference product application for specific installation methods and information.

Multi-Ply	BUR		APP		SBS				
	HA	CA	CA	HW	HA	CA	HW	CA	MF
Use to fasten select base sheets in the selected Multi-Ply systems above									

Single Ply	TPO		PVC		EPDM		
	MF	FA	MF	FA	MF	FA	BA
Use to fasten Membranes in the selected Single Ply systems above							

Key: HA = Hot Applied CA = Cold Applied HW = Heat Weldable SA = Self Adhered MF = Mechanically Fastened FA = Fully Adhered BA = Ballasted

Energy and the Environment

Recycled Content	This steel based product contains a minimum of 25% post consumer recycled materials by weight
------------------	---

Peak Advantage® Guarantee Information

Systems	Approved to use with any Peak Advantage Guarantee
---------	---

Codes and Approvals*



*Fastener approvals are based on system approvals

Installation/Application

Refer to the application instructions guidelines for proper utilization of this product.

Packaging and Dimensions

Fastener Sizes	Quantity per Container
3¾" (9.53 cm), 4¾" (12.07 cm), 5¾" (14.61 cm), 7" (17.78 cm), 8" (20.32 cm)	500/pail
Producing Locations*	Agawam, MA and Itasca, IL

* The point of manufacture for fasteners and plates varies depending on the specific part. Call your local JM sales professional for assistance.