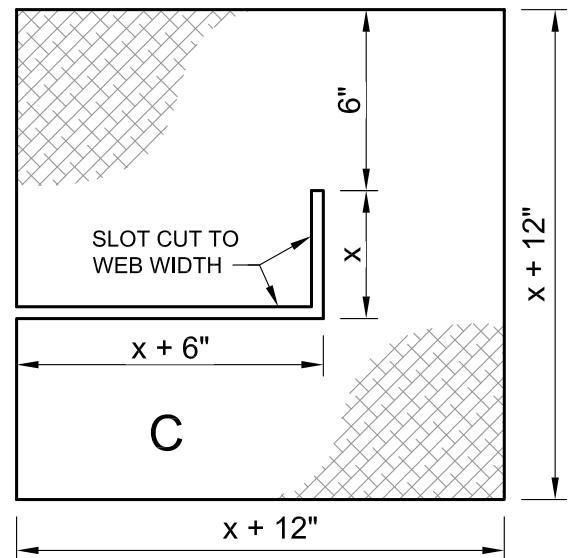
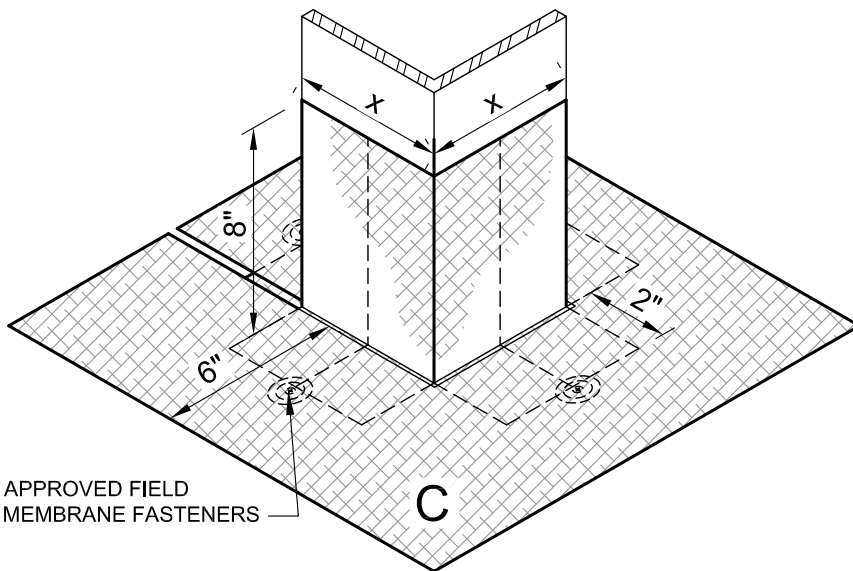


VERTICAL SURFACES
STEPS A & B



HORIZONTAL SURFACE
STEP C

NOTES:

1. ALL FOLD LINES REPRESENTED AS
ALL CUT LINES REPRESENTED AS - - - - -

USE THIS DETAIL IN CONJUNCTION WITH DETAIL P1P-FP-05 WHICH IS PART OF THIS INSTALLATION.

DRAWING NO.
P1P-FP-06

ANGLE IRON FLASHING SCRIM LAYOUT
JM ONE-PART POURABLE SEALER LIQUID FLASHING

PENETRATION
SCALE
N.T.S

MEMBRANE TYPE:
PVC/ONE-PART POURABLE SEALER
MAXIMUM GUARANTEE TERM:
20 YEAR

DRAWN BY:
HJV

Johns Manville is a manufacturer of commercial roofing products and offers this general conceptual information to you as a courtesy for general educational purposes only. This complimentary assistance is not to be either used or relied upon by anyone as a substitute for professional engineering design and documentation required by any building code, contract, or applicable law. By accepting the general conceptual information, you agree it does not constitute any representations, endorsements of, or an assumption by Johns Manville of any duty or liability for either the adequacy of the design of a building, any of its components or the sufficiency of any construction.

