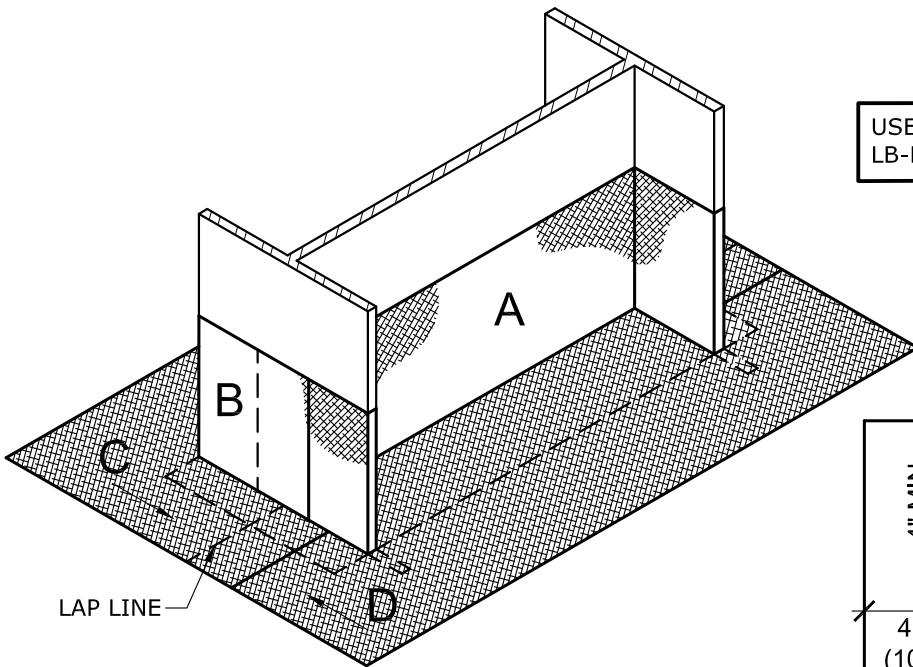
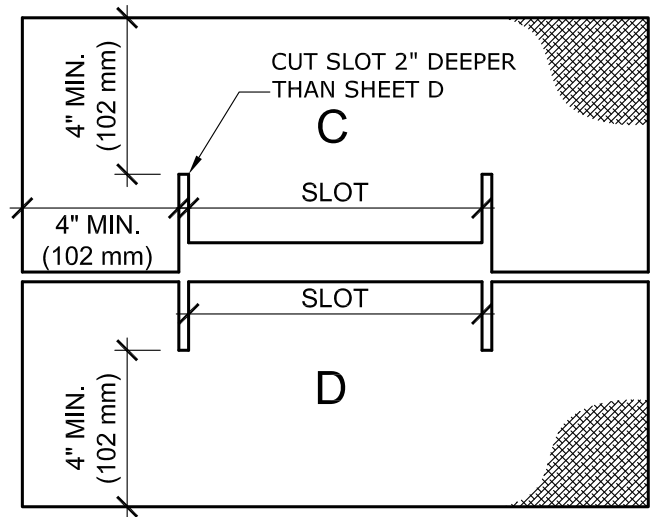


VERTICAL SURFACES
STEPS A & B



USE THIS DETAIL IN CONJUNCTION WITH DETAIL LB-FP-041 WHICH IS PART OF THIS INSTALLATION.



HORIZONTAL SURFACES
STEPS C & D

NOTES:

1. ALL FOLD LINES SHOWN AS:
ALL CUT LINES SHOWN AS: - - - - -

DRAWING NO.

LB-FP-04S

NEW DETAIL

SCALE N.T.S.

ISSUE DATE 6-18-18

WIDE FLANGE FLASHING SCRIM LAYOUT

MEMBRANE TYPE:
JM PMMA OVER BITUMINOUS

MAXIMUM GUARANTEE TERM:
20 YEAR

Johns Manville is a manufacturer of commercial roofing products and offers this general conceptual information to you as a courtesy. This complimentary assistance is not to be used or relied upon by anyone as a substitute for professional engineering design and documentation required by building code, contract, or applicable law. By accepting these comments you agree they do not constitute any representations, endorsements of, or an assumption by Johns Manville of any liability for either the adequacy of the design of this building or any other material not supplied by Johns Manville.

