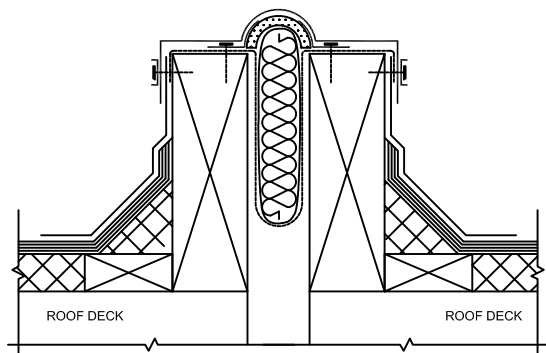
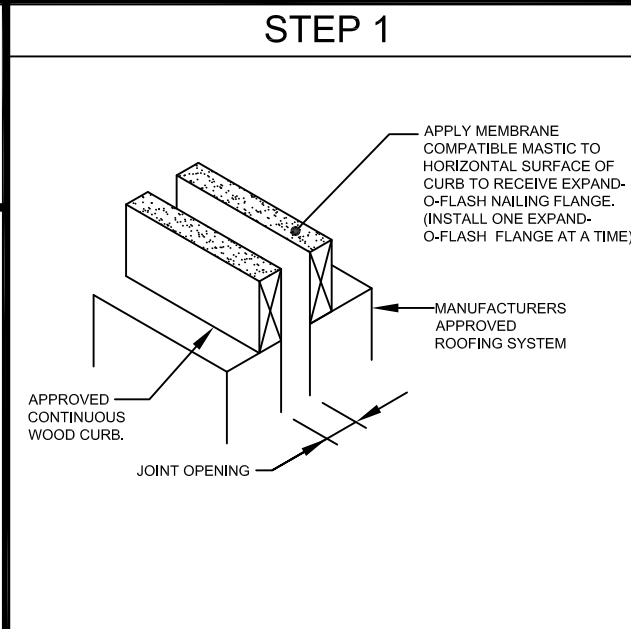


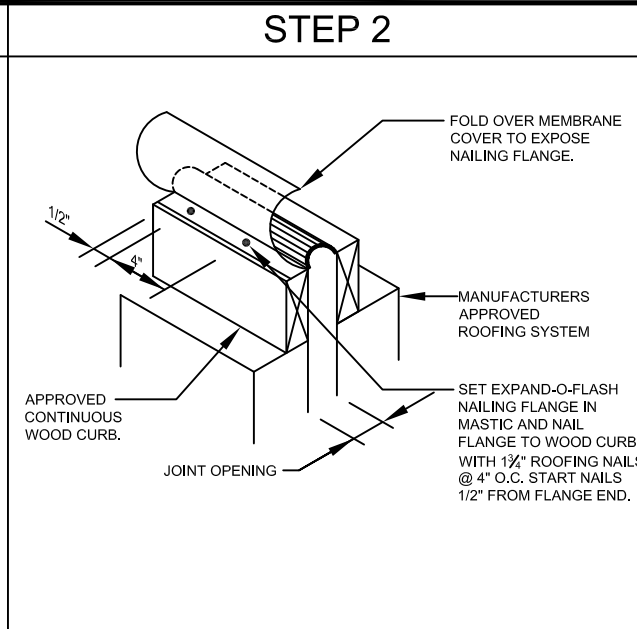
**EXPAND-O-FLASH  
CURB TO CURB  
PVC EJ/WC STYLE  
INSTALLATION INSTRUCTIONS**



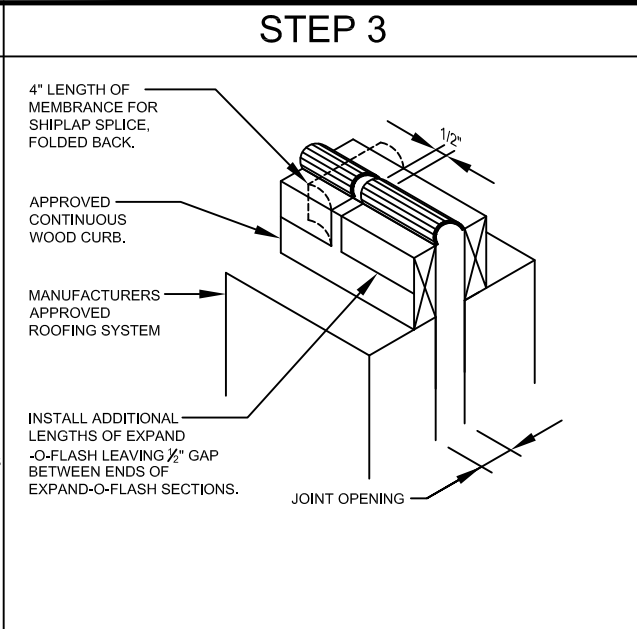
**BELLOWS MOUNTING HEIGHT 'A' FOR  
ROOF TO WALL ATTACHMENT**



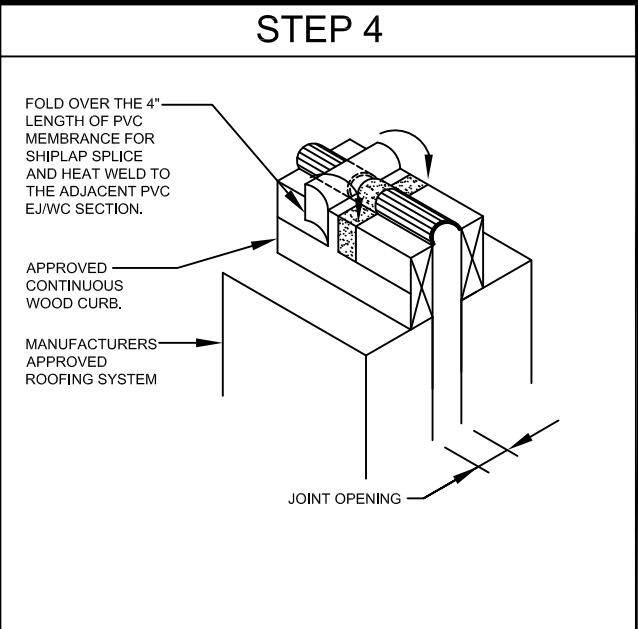
APPLY MEMBRANE COMPATIBLE MASTIC ON HORIZONTAL SURFACE OF ROOF CURB TO RECEIVE EXPAND-O-FLASH NAILING FLANGE. INSTALL ONE EXPAND-O-FLASH FLANGE AT A TIME.



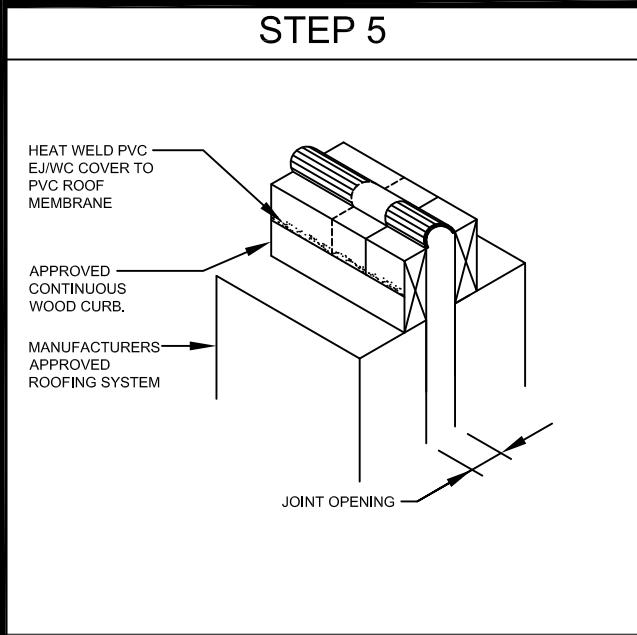
SET EXPAND-O-FLASH FLANGE IN MEMBRANE COMPATIBLE MASTIC AND NAIL TO ROOF CURB W/ (1) 1 3/4" ROOF NAIL @ 4" O.C. START NAILS 1" FROM FLANGE END.  
\*REPEAT STEPS 1 & 2 FOR OPPOSITE EXPAND-O-FLASH FLANGE, BEING CAREFUL TO ALIGN 2ND FLANGE WITH CURB EDGE TO ALLOW PROPER BELLOWS SHAPE.



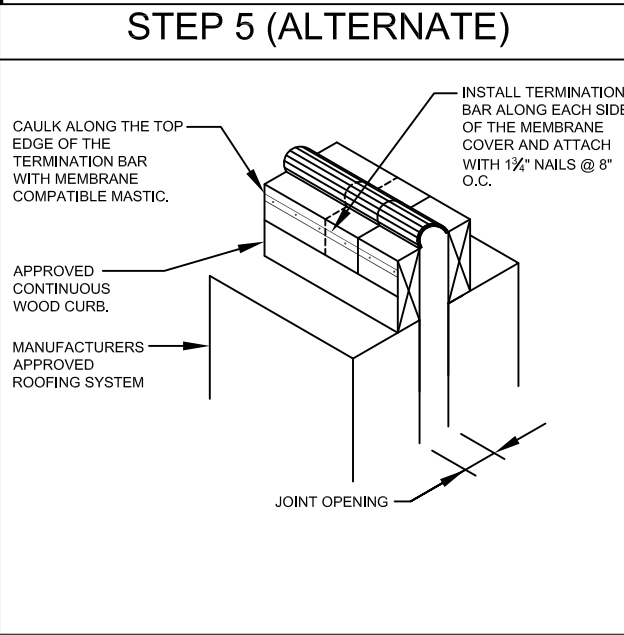
REPEAT STEPS 1 AND 2 FOR REMAINING SECTIONS OF EXPAND-O-FLASH STYLE PVC EJ/WC BEING SURE TO PROVIDE 1/2" GAP BETWEEN ENDS OF EXPAND-O-FLASH SECTIONS.  
\*WHEN INSTALLING ADDITIONAL SECTIONS OF EXPAND-O-FLASH STYLE PVC EJ/WC BE SURE THE 4" OF MEMBRANE PROVIDED FOR THE SHIPLAP SPLICE IS FOLDED OVER TO THE EXTERIOR.



AFTER ALL SECTION OF EXPAND-O-FLASH STYLE PVC EJ/WC ARE INSTALLED, SPLICES CAN BE COMPLETED. FOLD OVER THE PVC MEMBRANE FOR SHIPLAP ONTO THE ADJACENT SECTION OF PVC EJ/WC. HEAT WELD THE SHIPLAP SECTION OF PVC MEMBRANE TO THE ADJACENT SECTION OF PVC EJ/WC. HEAT WELDING SHOULD BE DONE IN ACCORDNACE WITH JOHNS MANVILLE RECOMMENDATIONS.



WHEN INSTALLING EXPAND-O-FLASH PVC EJ/WC ON A PVC ROOF SYSTEM, THE PVC EJ/WC CAN BE HEAT WELDED DIRECTLY TO THE PVC ROOF MEMBRANE. HEAT WELDING SHOULD BE DONE IN ACCORDANCE WITH MEMBRANE MANUFACTURERS RECOMMENDATIONS.



FOR INSTALLATION ON OTHER THAN PVC MEMBRANE: INSTALL TERMINATION BAR ALONG EACH SIDE OF THE MEMBRANE COVER AND ATTACH WITH APPROPRIATE FASTENERS @ 8" O.C. CAULK ALONG THE TOP EDGE OF THE TERMINATION BAR WITH MEMBRANE COMPATIBLE MASTIC.

**INSTALLATION INSTRUCTION NOTES:**

- INSTALL ALL FACTORY FABRICATED INTERSECTIONS AND TRANSITIONS FIRST. FOLLOW THE APPROPRIATE STEPS INCLUDED IN THESE INSTALLATION INSTRUCTION FOR THESE ITEMS.
- THE BUILDING/ROOF SURFACES TO WHICH THE EXPAND-O-FLASH IS TO BE INSTALLED SHOULD BE SMOOTH, CLEAN AND FREE OF ANY DIRT AND DEBRIS.
- INSTALL EXPAND-O-FLASH WITH THE FOAM BACKER FACING THE INSIDE OF BUILDING. DO NOT EXPOSE FOAM TO WEATHER.
- SEE INSTALLATION ADDENDUM 'A' ON PAGE 2 FOR BELLOWS SIZES 18" AND GREATER

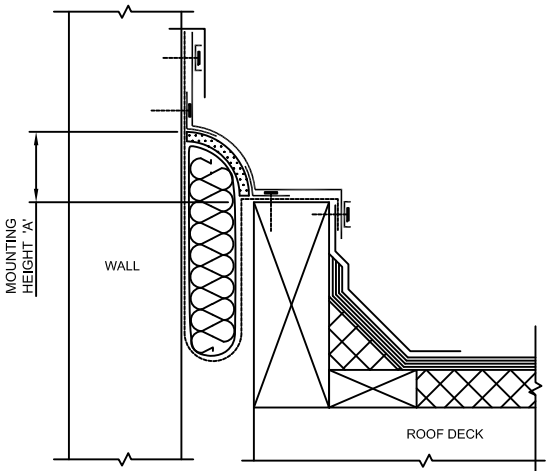
DRAWING NO. INST-EOF-PEJWC-RR	SCALE NTS	ISSUE DATE 5/14/12	REV. NO. #1 ON 9/10/18
PAGE 1		CAD FILE: EOF PVC EJWC INSTALLATION INSTRUCTIONS.DWG	

**EXPAND-O-FLASH (STYLE PVC EJ/WC; ROOF TO ROOF) INSTALLATION INSTRUCTIONS**

Johns Manville is a Manufacturer of commercial roofing products and offers this general conceptual information to you as a courtesy. This complimentary assistance is not to be used or relied upon by anyone as a substitute for professional engineering design and documentation required by building code, contract, or applicable law. By accepting these comments you agree they do not constitute any representations, endorsements of, or an assumption by Johns Manville of any liability for either the adequacy of the design of this building or any other material not supplied by Johns Manville.



**EXPAND-O-FLASH  
CURB TO WALL  
PVC EJ/WC STYLE  
INSTALLATION INSTRUCTIONS**

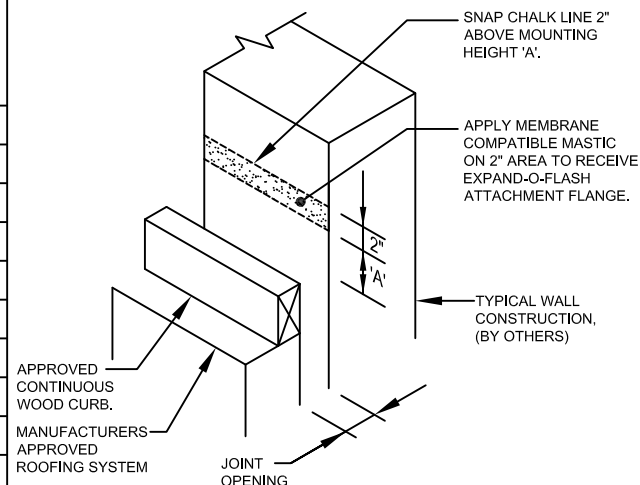


**BELLOWS MOUNTING HEIGHT 'A' FOR ROOF TO WALL ATTACHMENT**

MOUNTING HEIGHT 'A'	
BELLOWS MOUNTING HEIGHT 'A' FOR ROOF TO WALL ATTACHMENT	
BELLOWS WIDTH	MOUNTING HEIGHT 'A'
4"	2 1/2"
6"	3 3/4"
8"	5 1/8"
10"	6 3/8"
12"	7 1/2"
14"	8 3/4"
16"	10 1/4"
18"	11 1/2"
20"	12 3/4"
22"	14"
24"	15 1/4"

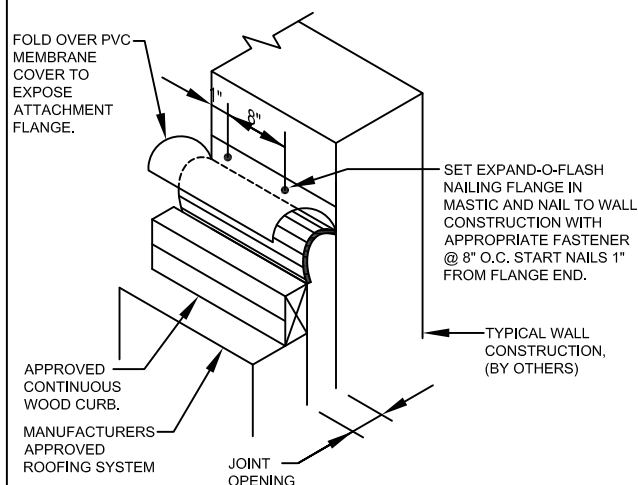
THE MOUNTING HEIGHT PROVIDED ABOVE ARE APPLICABLE FOR ANY CONDITION IN WHICH THE EXPAND-O-FLASH IS BEING MOUNTED IN A ROOF TO WALL CONDITION.

**STEP 1**



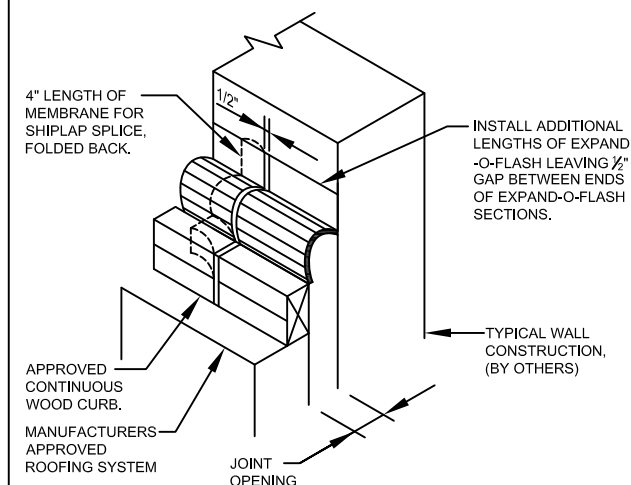
SNAP CHALK LINE 2" ABOVE MOUNTING HEIGHT 'A'. SEE MOUNTING HEIGHT 'A' CHART ON THIS PAGE. APPLY MEMBRANE COMPATIBLE MASTIC ON 2" WIDE AREA TO RECEIVE EXPAND-O-FLASH ATTACHMENT FLANGE. \*INSTALL CURB SIDE FLANGE IN ACCORDANCE WITH STEPS 1 & 2 OF THE INSTALLATION INSTRUCTIONS ON REVERSE.

**STEP 2**



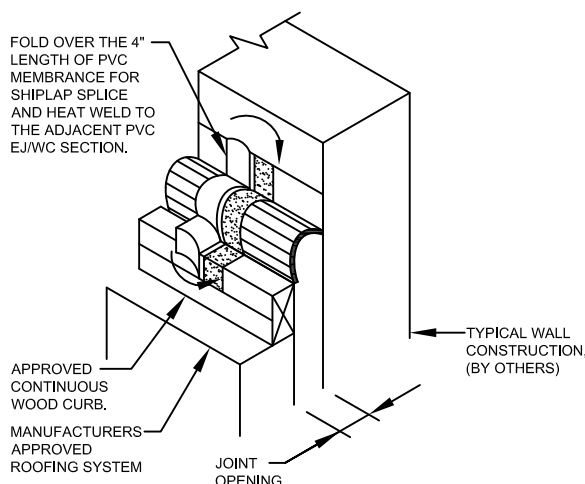
SET EXPAND-O-FLASH NAILING FLANGE IN MEMBRANE COMPATIBLE MASTIC AND NAIL TO WALL CONSTRUCTION W/ (1) FASTENER @ 8" O.C. START NAILS 1" FROM FLANGE END.

**STEP 3**



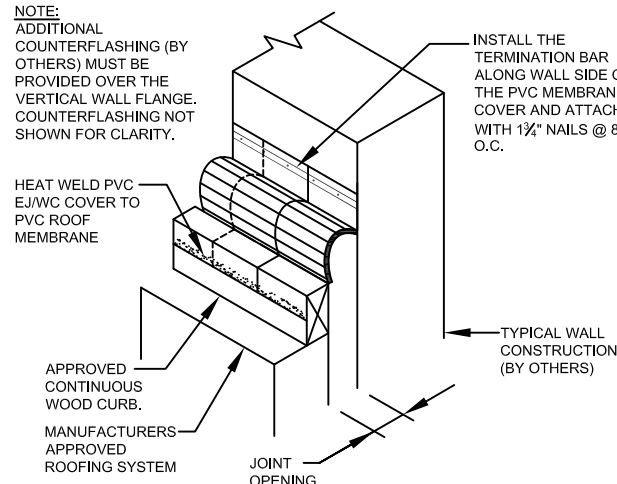
REPEAT STEPS 1 AND 2 FOR REMAINING SECTIONS OF EXPAND-O-FLASH STYLE EJ/WC BEING SURE TO PROVIDE 1/2" GAP BETWEEN ENDS OF EXPAND-O-FLASH SECTIONS. \*WHEN INSTALLING ADDITIONAL SECTIONS OF EXPAND-O-FLASH STYLE PVC EJ/WC BE SURE THE 4" OF MEMBRANE PROVIDED FOR THE SHIPLAP SPLICE IS FOLDED OVER TO THE EXTERIOR.

**STEP 4**



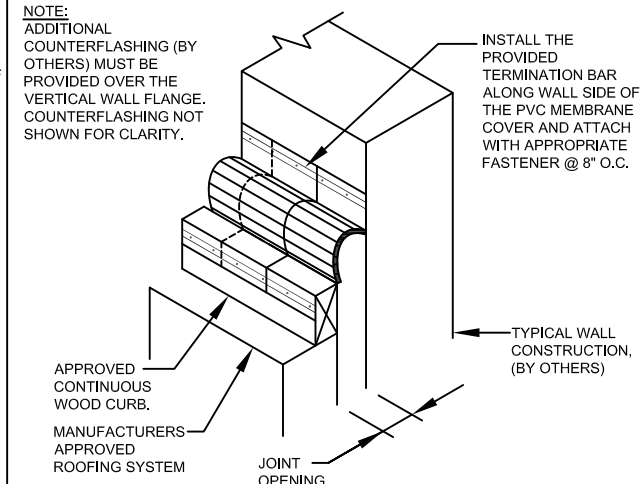
AFTER ALL SECTION OF EXPAND-O-FLASH STYLE PVC EJ/WC ARE INSTALLED, SPLICES CAN BE COMPLETED. FOLD OVER THE PVC MEMBRANE FOR SHIPLAP ONTO THE ADJACENT SECTION OF PVC EJ/WC. HEAT WELD THE 2 SHIPLAPPED SECTIONS OF PVC MEMBRANE TOGETHER. HEAT WELDING SHOULD BE DONE IN ACCORDANCE WITH JOHNS MANVILLE RECOMMENDATIONS

**STEP 5**



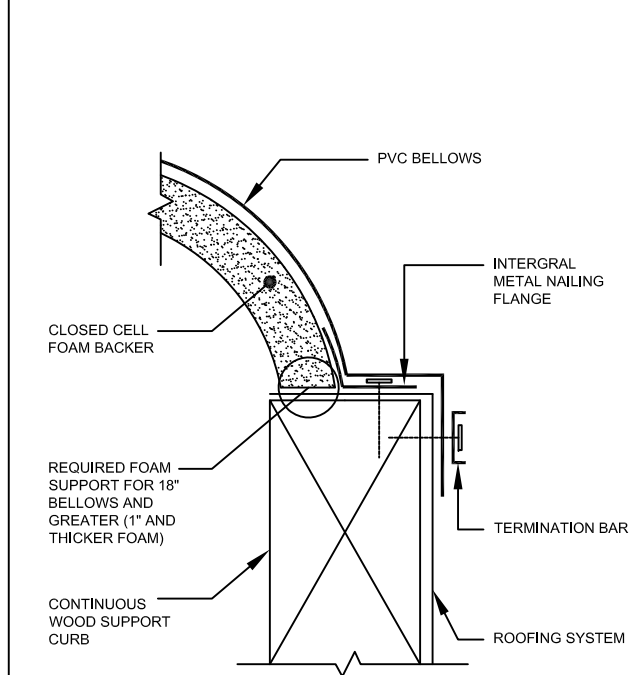
WHEN INSTALLING EXPAND-O-FLASH PVC EJ/WC ON A PVC ROOF SYSTEM, THE PVC EJ/WC CAN BE HEAT WELDED DIRECTLY TO THE PVC ROOF MEMBRANE. HEAT WELDING SHOULD BE DONE IN ACCORDANCE WITH MEMBRANE MANUFACTURERS RECOMMENDATIONS.

**STEP 5 (ALTERNATE)**



FOR INSTALLATION ON OTHER THAN PVC MEMBRANE: INSTALL TERMINATION BAR ALONG EACH SIDE OF THE MEMBRANE COVER AND ATTACH WITH APPROPRIATE FASTENER @ 8" O.C. CAULK ALONG THE TOP EDGE OF THE TERMINATION BAR WITH MEMBRANE COMPATIBLE MASTIC.

**INSTALLATION ADDENDUM 'A'**



**INSTALLATION INSTRUCTION NOTES:**

- INSTALL ALL FACTORY FABRICATED INTERSECTIONS AND TRANSITIONS FIRST. FOLLOW THE APPROPRIATE STEPS INCLUDED IN THESE INSTALLATION INSTRUCTION FOR THESE ITEMS.
- THE BUILDING/ROOF SURFACES TO WHICH THE EXPAND-O-FLASH IS TO BE INSTALLED SHOULD BE SMOOTH, CLEAN AND FREE OF ANY DIRT AND DEBRIS.
- INSTALL EXPAND-O-FLASH WITH THE FOAM BACKER FACING THE INSIDE OF BUILDING. DO NOT EXPOSE FOAM TO WEATHER.
- SEE INSTALLATION ADDENDUM 'A' ON PAGE 2 FOR BELLOWS SIZES 18" AND GREATER

DRAWING NO. <b>INST-EOF-PEJWC-RW</b>	SCALE NTS	ISSUE DATE 5/14/12	REV. NO. #1 ON 9/10/18
PAGE 2		CAD FILE: EOF PVC EJWC INSTALLATION INSTRUCTIONS.DWG	

**EXPAND-O-FLASH (STYLE PVC EJ/WC; ROOF TO WALL) INSTALLATION INSTRUCTIONS**

Johns Manville is a Manufacturer of commercial roofing products and offers this general conceptual information to you as a courtesy. This complimentary assistance is not to be used or relied upon by anyone as a substitute for professional engineering design and documentation required by building code, contract, or applicable law. By accepting these comments you agree they do not constitute any representations, endorsements of, or an assumption by Johns Manville of any liability for either the adequacy of the design of this building or any other material not supplied by Johns Manville.

