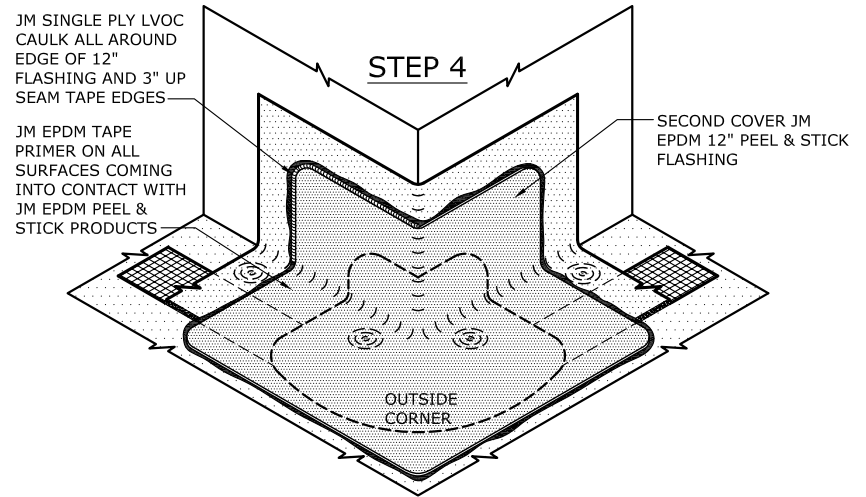
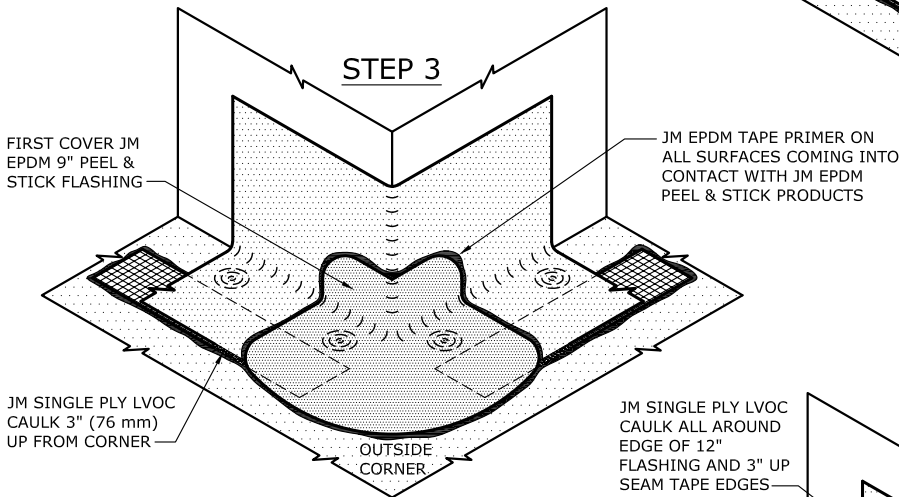
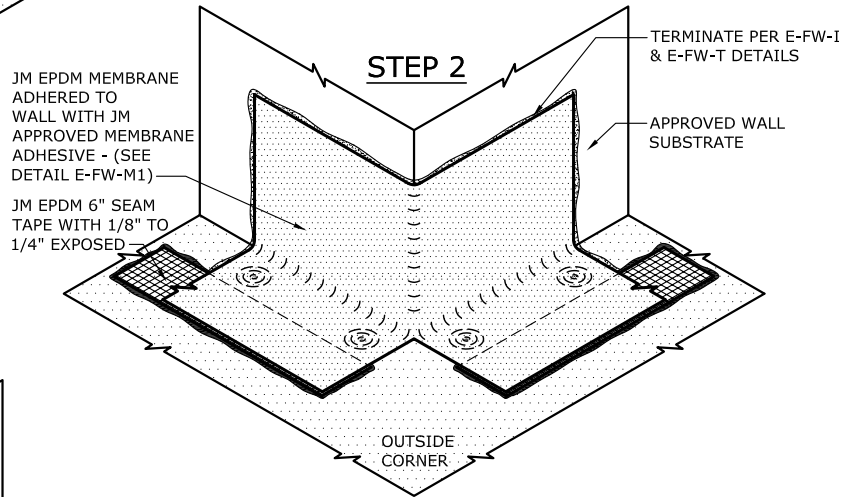


NOTE:
JM EPDM TAPE PRIMER OR JM SINGLE PLY MEMBRANE PRIMER (LOW VOC) MUST BE APPLIED TO ALL SURFACES COMING INTO CONTACT WITH JM EPDM PEEL & STICK FLASHINGS



DRAWING NO.

E-FC-10

CURB & CORNER

SCALE N.T.S. ISSUE DATE 02-12-21

EPDM OUTSIDE CORNER WITH SEAM TAPE 30 YEAR

MEMBRANE TYPE:
JM EPDM

MAXIMUM GUARANTEE TERM:
30 YEAR

Johns Manville is a manufacturer of commercial roofing products and offers this general conceptual information to you as a courtesy for general educational purposes only. This complimentary assistance is not to be either used or relied upon by anyone as a substitute for professional engineering design and documentation required by any building code, contract, or applicable law. By accepting the general conceptual information, you agree it does not constitute any representations, endorsements of, or an assumption by Johns Manville of any duty or liability for either the adequacy of the design of a building, any of its components or the sufficiency of any construction.

